

Технические характеристики

По вопросам продаж и поддержки обращайтесь:

Алматы (7273)495-231	Казань (843)206-01-48	Новокузнецк (3843)20-46-81	Смоленск (4812)29-41-54
Архангельск (8182)63-90-72	Калининград (4012)72-03-81	Новосибирск (383)227-86-73	Сочи (862)225-72-31
Астрахань (8512)99-46-04	Калуга (4842)92-23-67	Омск (3812)21-46-40	Ставрополь (8652)20-65-13
Барнаул (3852)73-04-60	Кемерово (3842)65-04-62	Орел (4862)44-53-42	Сургут (3462)77-98-35
Белгород (4722)40-23-64	Киров (8332)68-02-04	Оренбург (3532)37-68-04	Тверь (4822)63-31-35
Брянск (4832)59-03-52	Краснодар (861)203-40-90	Пенза (8412)22-31-16	Томск (3822)98-41-53
Владивосток (423)249-28-31	Красноярск (391)204-63-61	Пермь (342)205-81-47	Тула (4872)74-02-29
Волгоград (844)278-03-48	Курск (4712)77-13-04	Ростов-на-Дону (863)308-18-15	Тюмень (3452)66-21-18
Вологда (8172)26-41-59	Липецк (4742)52-20-81	Рязань (4912)46-61-64	Ульяновск (8422)24-23-59
Воронеж (473)204-51-73	Магнитогорск (3519)55-03-13	Самара (846)206-03-16	Уфа (347)229-48-12
Екатеринбург (343)384-55-89	Москва (495)268-04-70	Санкт-Петербург (812)309-46-40	Хабаровск (4212)92-98-04
Иваново (4932)77-34-06	Мурманск (8152)59-64-93	Саратов (845)249-38-78	Челябинск (351)202-03-61
Ижевск (3412)26-03-58	Набережные Челны (8552)20-53-41	Севастополь (8692)22-31-93	Череповец (8202)49-02-64
Иркутск (395)279-98-46	Нижний Новгород (831)429-08-12	Симферополь (3652)67-13-56	Ярославль (4852)69-52-93
Россия (495)268-04-70	Киргизия (996)312-96-26-47	Казахстан (7172)727-132	



Herz- und Gefäß-Chirurgie – Cardiovascular Surgery

Rippenraspatorien Rib Raspatories

FB



DOYEN

FK400R-FK401R

für Kinder
for children
175 mm, 7"



DOYEN

FK402R-FK403R

für Erwachsene
for adults
175 mm, 7"



DOYEN

FK408R-FK409R

240 mm, 9 1/2"



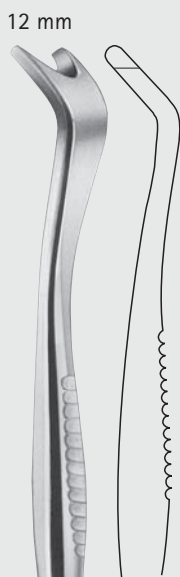
MILLIMETERS

Herz- und Gefäß-Chirurgie – Cardiovascular Surgery

Rippenraspatorien

Rib Raspatories

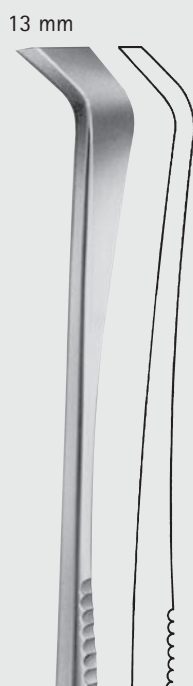
FB



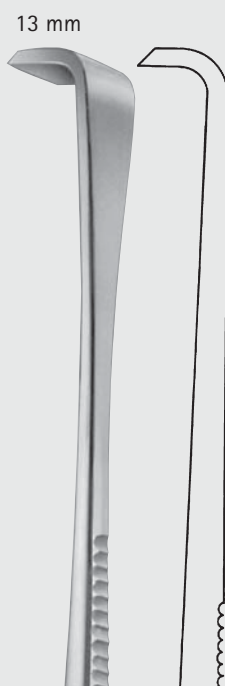
FK381R
190 mm
7 1/2"



FK382R
230 mm
9"



FK383R
230 mm
9"



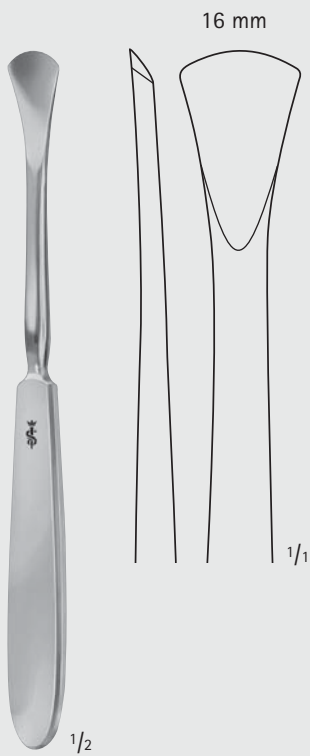
FK384R
230 mm
9"



FK387R
230 mm
9"

SEMB

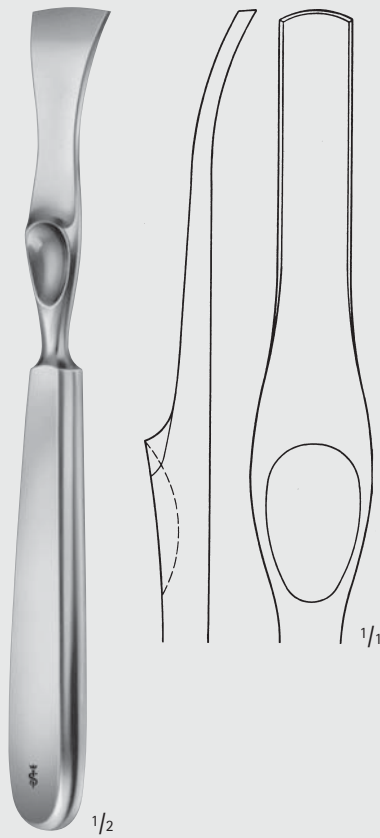
FK381R-FK387R



LANGENBECK

FK360R

190 mm, 7 1/2"



LAMBOTTE

FK355R 5 mm

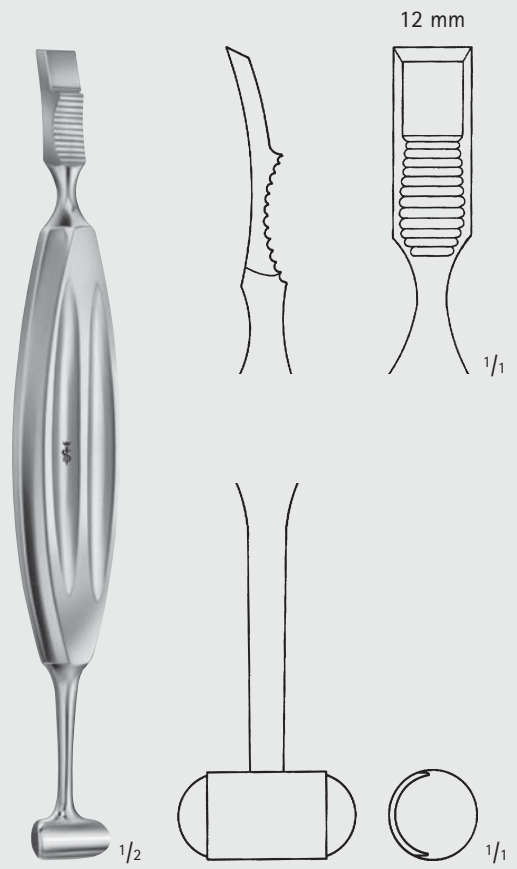
FK356R 10 mm

FK357R 15 mm

FK358R 20 mm

FK359R 25 mm

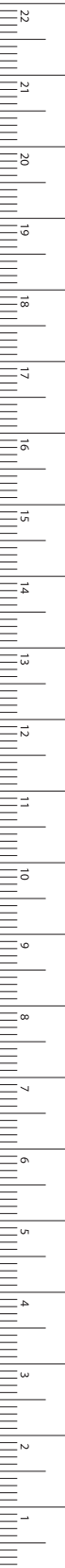
215 mm, 8 1/2"



ALEXANDER

FK420R

210 mm, 8 1/4"

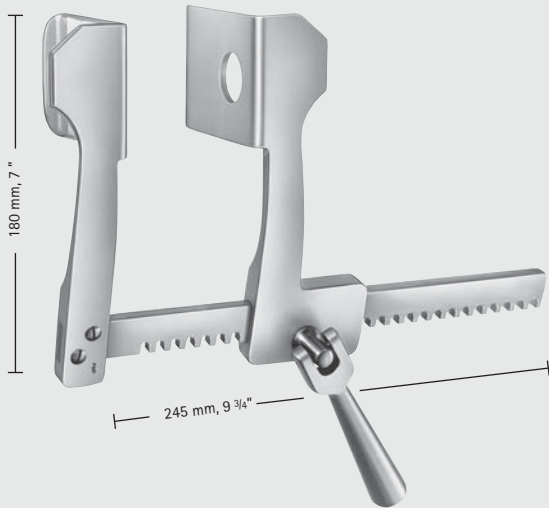




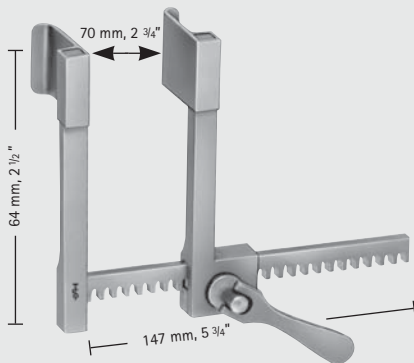
Herz- und Gefäß-Chirurgie – Cardiovascular Surgery

Thoraxsperrer (Aluminium), Rippensperrer für Kleinkinder
Thoracic Retractors (Aluminium), Rib Retractors for Infants

FB



FINOCHIETTO
Blätter
Blades
FC044A 74 x 64 mm



STRUCK

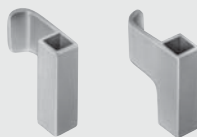
FB852R

Rippensperrer für Kleinkinder
komplett,
bestehend aus:

- FB853R Sperrer allein
- FB857R Blätter (Paar)
- FB858R Blätter (Paar)

Rib spreader for infants complete,
consisting of:

- FB853R Retractor only
- FB857R Blades (pair)
- FB858R Blades (pair)



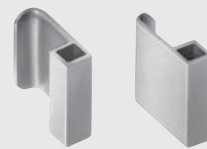
Blätter
Blades

FB854R 10 x 10 mm



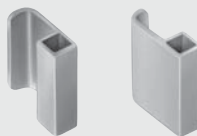
Blätter
Blades

FB855R 10 x 15 mm



Blätter
Blades

FB857R 15 x 20 mm



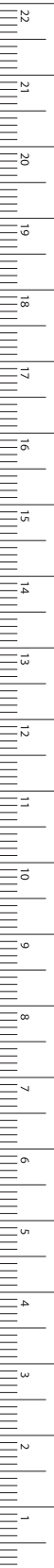
Blätter
Blades

FB856R 10 x 20 mm



Blätter
Blades

FB858R 20 x 20 mm



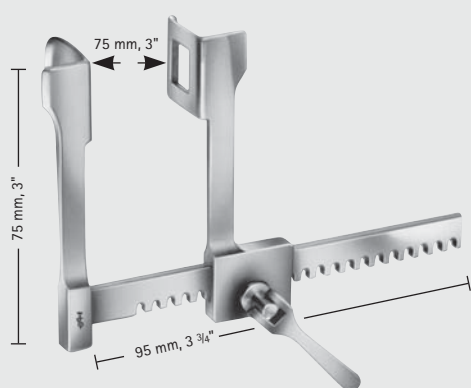
MILLIMETERS

Herz- und Gefäß-Chirurgie – Cardiovascular Surgery

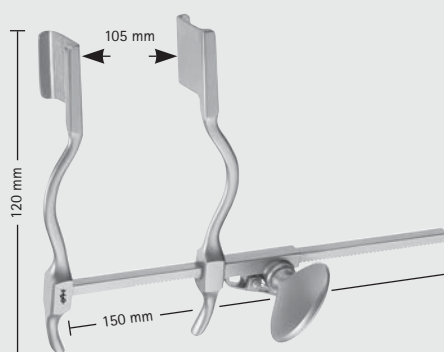
Rippensperrer für Kinder

Rib Retractors for Infants

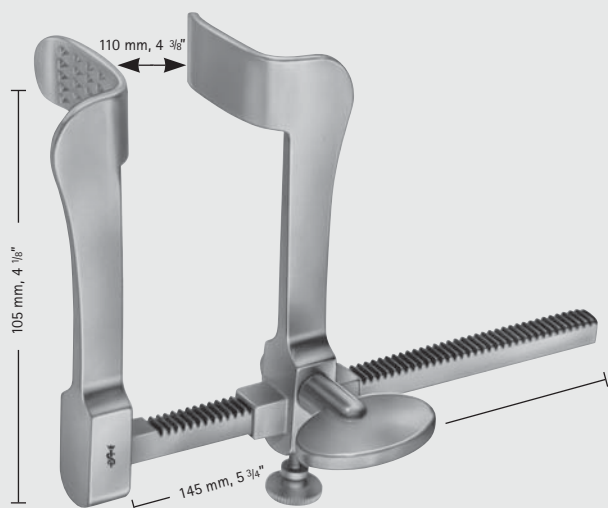
FB



FINOCHIETTO
Blätter
Blades
FB830R 18 x 21 mm



HERTZLER
Blätter
Blades
BV512R 20 x 25 mm



TUFFIER
Blätter
Blades
FB847R 32 x 19 mm

INCHES



Herz- und Gefäß-Chirurgie – Cardiovascular Surgery

Rippensperrer und -Konraktoren Rib Spreaders- and Contractors

FB



SELLORS

FB840R

Rippensperrer und -kontraktor
mit drehbaren Klauen

Rib spreader- and contractor
with swivel blades

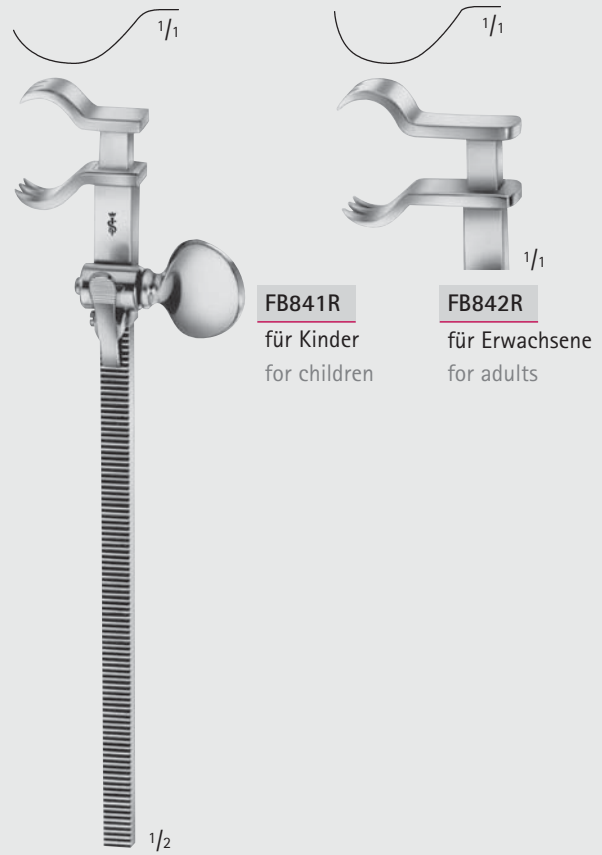
200 mm, 8"



BAILEY

FB844R

150 mm, 6"



FB841R

für Kinder
for children

FB842R

für Erwachsene
for adults

BAILEY


FB841R-FB842R

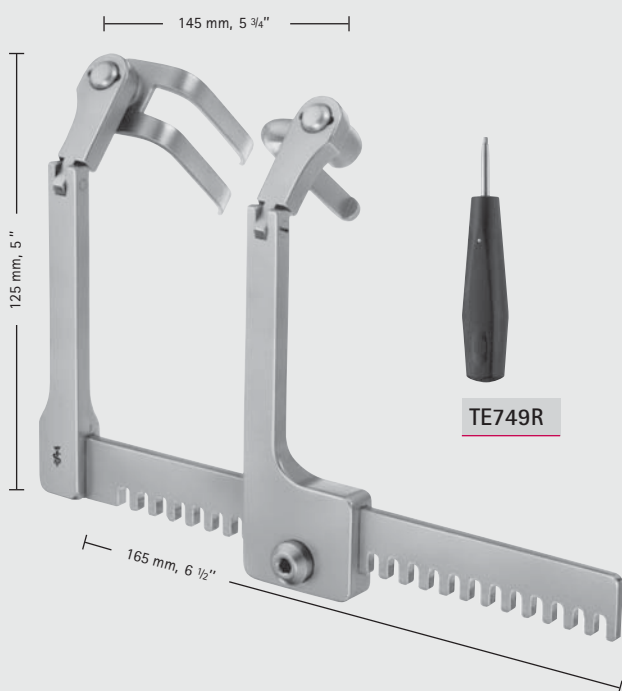
200 mm, 8"



Wundspreizer, Bauchdeckenhalter – Self-Retaining Retractors, Abdominal Retractors

Wundspreizer für die Wirbelsäule
Self-Retaining Retractors for Spine

 KUGELSCHNELLVERSCHLUSS MIT VERDREHSICHERUNG
BALL SNAP CLOSURE WITH TORRSION LOCK



TE749R



BV435R

Haken
Hook
38 mm



BV437R

Haken
Hook
58 mm



Blätter
Blades

BV441R	32 x 22 mm
BV442R	37 x 22 mm
BV443R	42 x 22 mm
BV444R	47 x 22 mm
BV445R	52 x 22 mm
BV446R	57 x 22 mm
BV447R	62 x 22 mm
BV448R	67 x 22 mm

CASPAR

BV450R

Sperrer komplett,
für Laminektomie und Hemi-Laminektomie,
lumbal, thorakal und cervical einzusetzen
bestehend aus:

- BV449R Sperrer allein, mit Drehschlüssel TE749R
- BV435R Haken
- BV442R Blatt
- BV443R Blatt
- BV444R Blatt
- BV445R Blatt
- BV446R Blatt

Retractor complete,
for laminectomy and hemi-laminectomy,
lumbar, thoracic and cervical available
consisting of:

- BV449R Retractor only, with key TE749R
- BV435R Hook
- BV442R Blade
- BV443R Blade
- BV444R Blade
- BV445R Blade
- BV446R Blade



Blätter
Blades

BV451R	32 x 37 mm
BV452R	37 x 37 mm
BV453R	42 x 37 mm
BV454R	47 x 37 mm
BV455R	52 x 37 mm
BV456R	57 x 37 mm
BV457R	62 x 37 mm
BV458R	67 x 37 mm



Blätter
Blades

BV461R	32 x 52 mm
BV462R	37 x 52 mm
BV463R	42 x 52 mm
BV464R	47 x 52 mm
BV465R	52 x 52 mm
BV466R	57 x 52 mm
BV467R	62 x 52 mm
BV468R	67 x 52 mm



Wundspreizer, Bauchdeckenhalter – Self-Retaining Retractors, Abdominal Retractors

Universal-Wirbelsäulensperrer Universal Retractor System

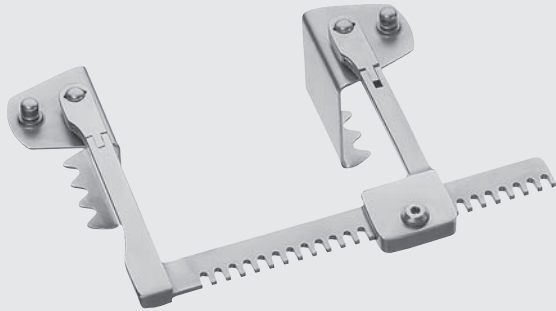
Universal-Wirbelsäulensperrer

Der selbsthaltende CASPAR-Universal-Wirbelsäulensperrer ermöglicht eine sichere Retraktion und spart durch seine abnehmbaren Griffe Platz im OP-Feld.

Universal Spinal Retractor System

The self-retaining CASPAR universal spinal retractor permits safe retraction and saves space in the operation area due to the removable handles.

BV



CASPAR

BV449R

Sperrer ohne Blätter

Retractor without blades



BV413R

Handgriff

Handle

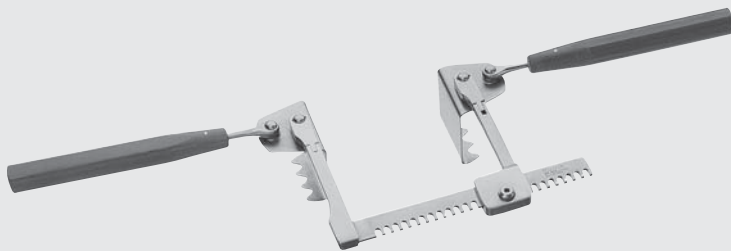
Blätter
Blades

BV414R 50 x 44 mm

BV415R 50 x 54 mm

BV416R 50 x 74 mm

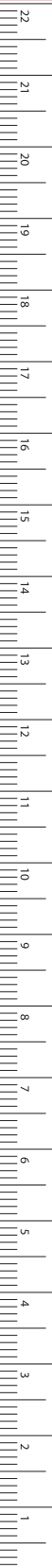
BV417R 50 x 89 mm



TE749R

Drehschlüssel

Key for socket-head screw



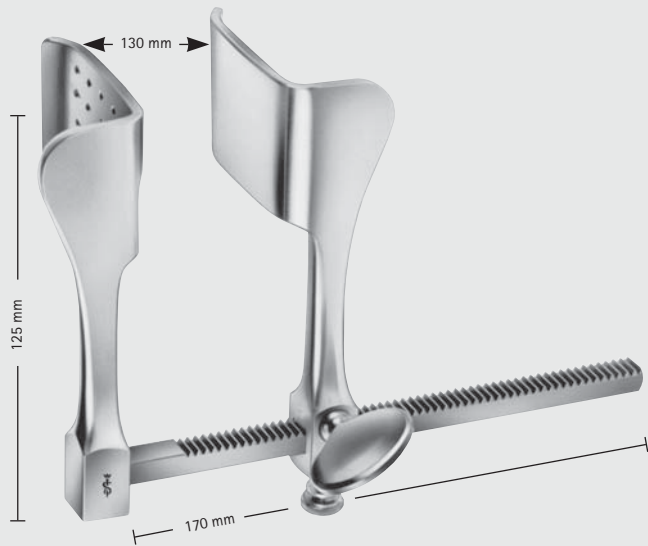
MILLIMETERS



Herz- und Gefäß-Chirurgie – Cardiovascular Surgery

Rippensperrer Rib Retractors

FB

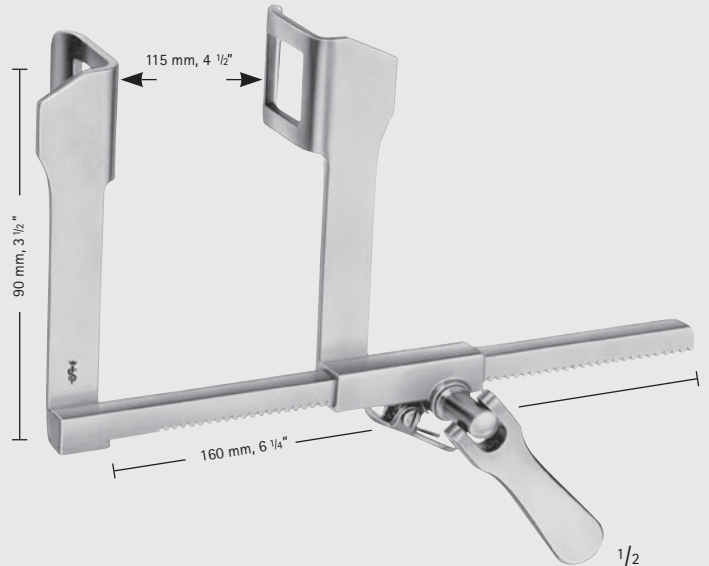


TUFFIER

FB800R

Blätter
Blades

43 x 53 mm

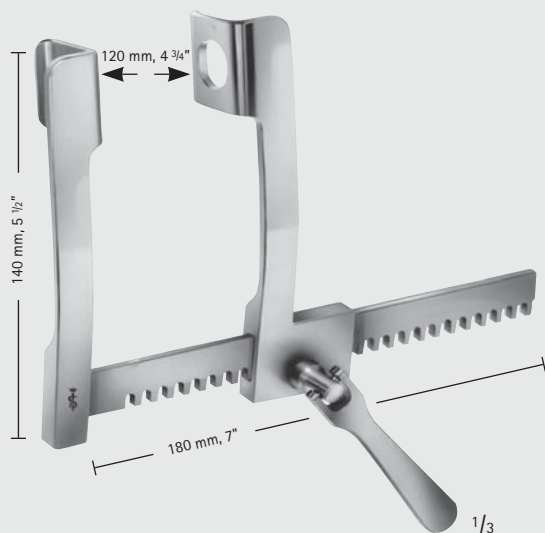


HAIGHT

FB835R

Blätter
Blades

30 x 30 mm

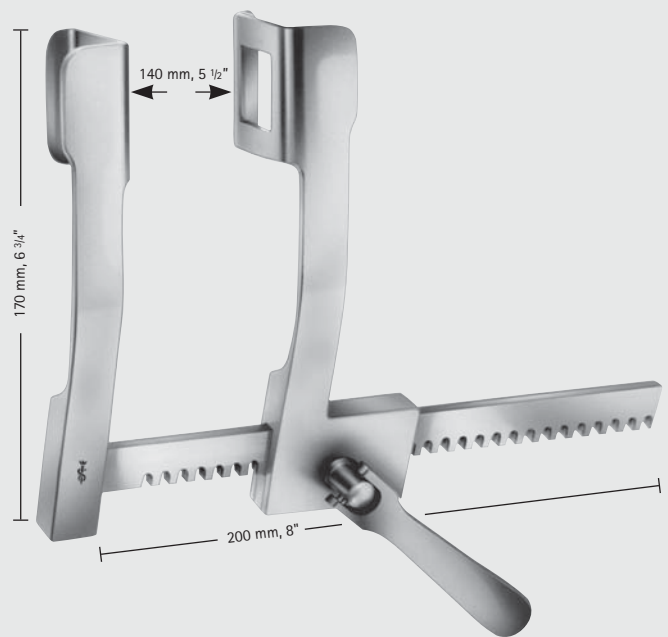


FINOCHIETTO

FB836R

Blätter
Blades

28 x 32 mm



FINOCHIETTO

FB802R

Blätter
Blades

36 x 45 mm



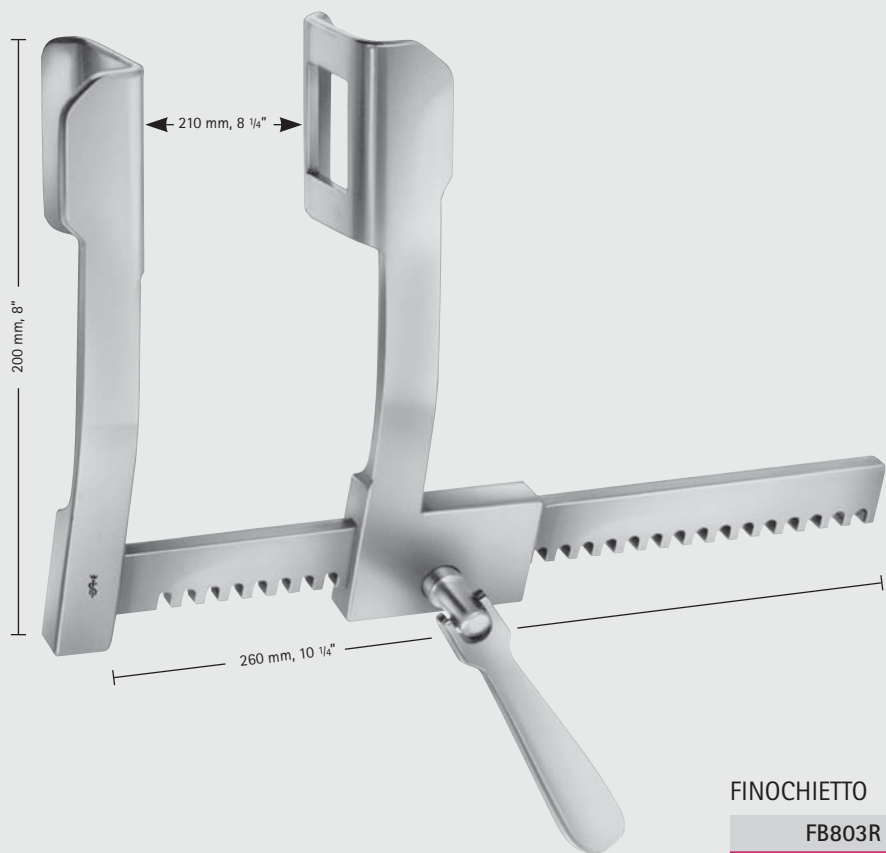
MILLIMETERS

Herz- und Gefäß-Chirurgie – Cardiovascular Surgery

Rippensperrer

Rib Retractors

FB



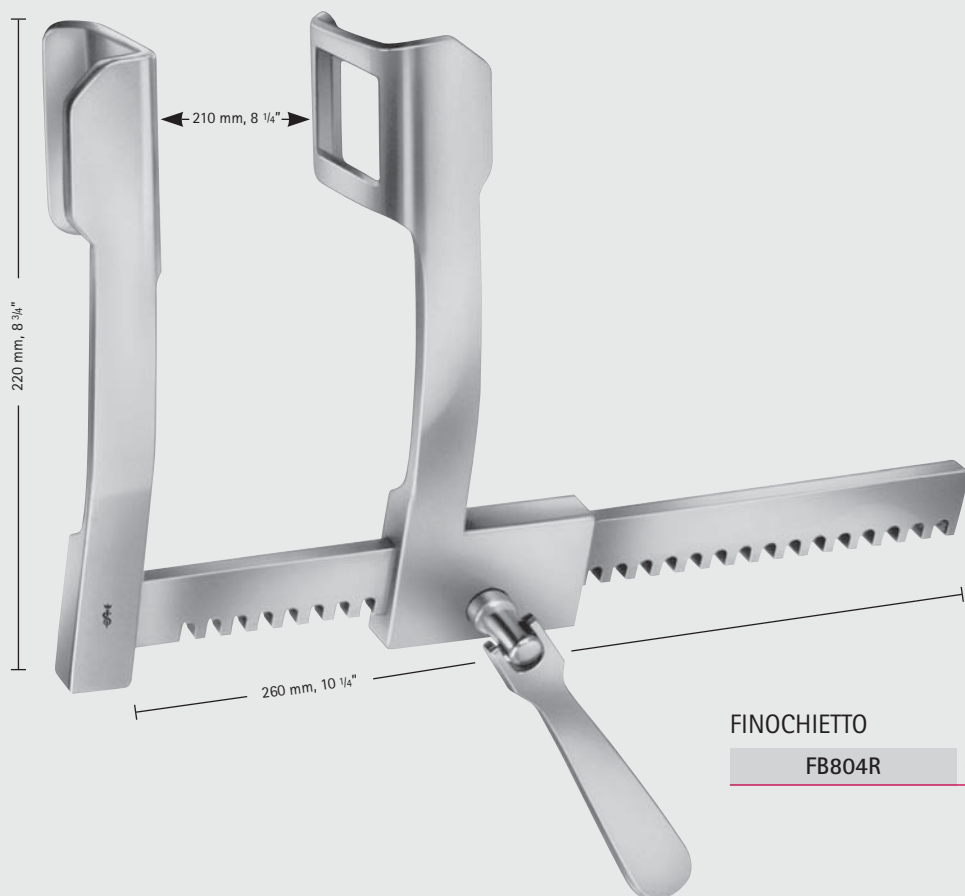
FINOCHIETTO

FB803R

Blätter

Blades

44 x 65 mm



FINOCHIETTO

FB804R

Blätter

Blades

65 x 65 mm

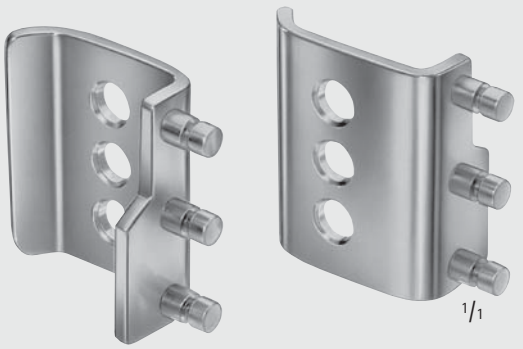
INCHES



Herz- und Gefäß-Chirurgie – Cardiovascular Surgery

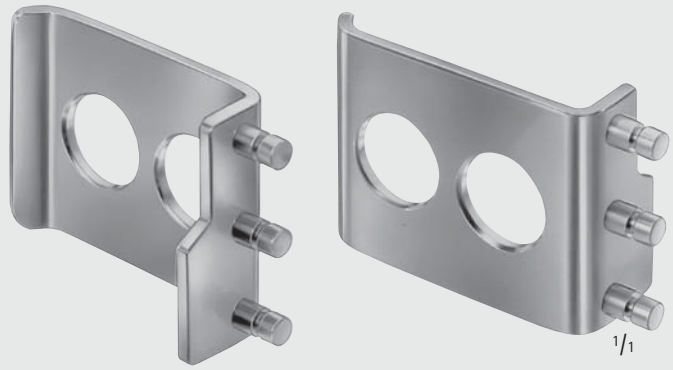
Rippensperrer Rib Retractors

FB



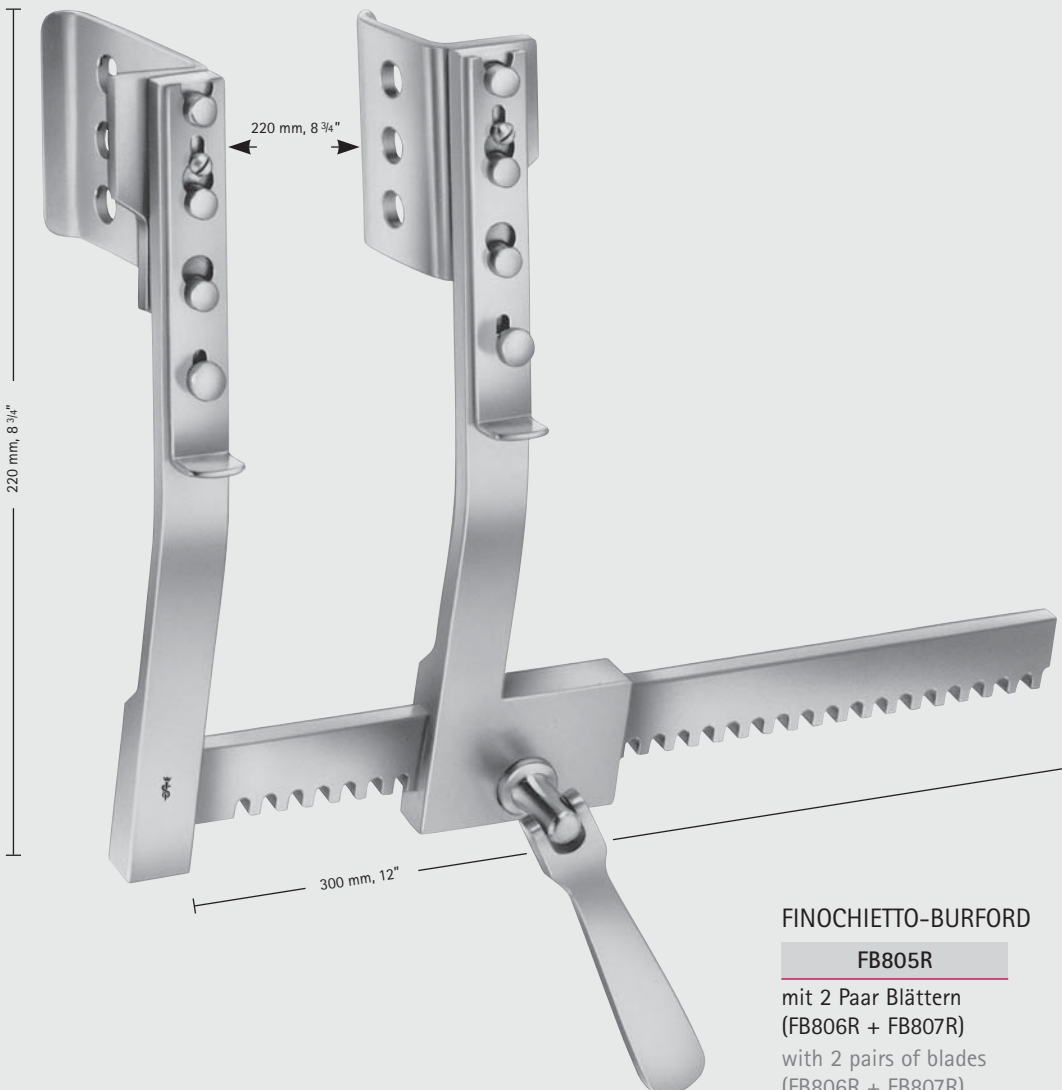
Blätter
Blades

FB806R 45 x 64 mm



Blätter
Blades

FB807R 75 x 64 mm



FINOCHIETTO-BURFORD

FB805R

mit 2 Paar Blättern
(FB806R + FB807R)
with 2 pairs of blades
(FB806R + FB807R)



MILLIMETERS

Herz- und Gefäß-Chirurgie – Cardiovascular Surgery

Rippensperrer

Rib Retractors

Besondere Vorteile:

- Blätter ohne Schrauben und Hebel austauschbar.
- Keine überstehenden Teile, glatte Flächen, daher kein Hängenbleiben von Ligaturfäden usw.

Special advantages:

- Improved fixing system for interchangeable blades.
- No protruding parts, therefore no risk of catching sutures.



FB810R 30 x 30 mm

Blätter

Blades



FB811R 40 x 40 mm

Blätter

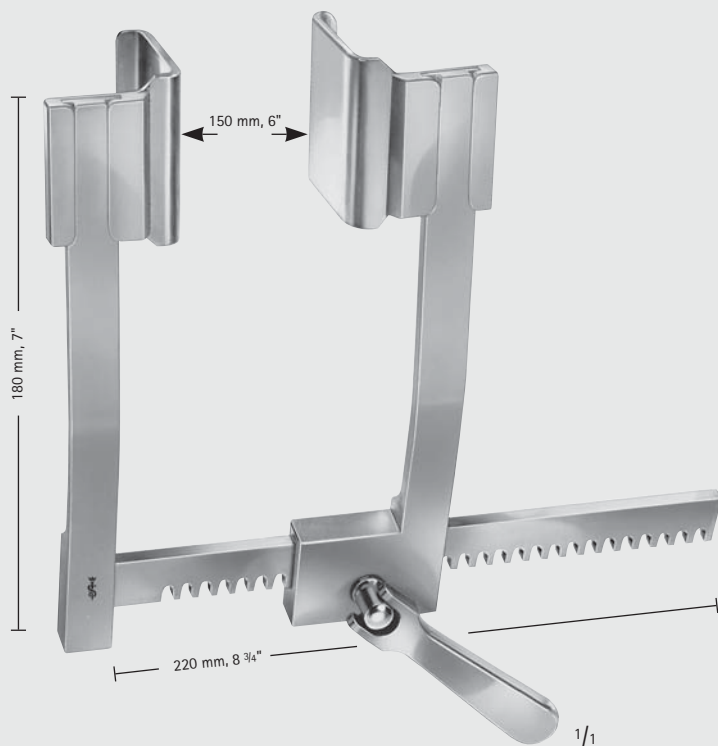
Blades



FB812R 50 x 50 mm

Blätter

Blades



DE BAKEY

FB808R

Rippensperrer komplett,
bestehend aus:

- FB809R Sperrer allein
- FB810R Blätter (Paar)
- FB811R Blätter (Paar)
- FB812R Blätter (Paar)

Rib spreader complete,
consisting of:

- FB809R Spreader only
- FB810R Blades (pair)
- FB811R Blades (pair)
- FB812R Blades (pair)



Herz- und Gefäß-Chirurgie – Cardiovascular Surgery

Rippensperrer Rib Retractors

Besondere Vorteile:

- Blätter ohne Schrauben und Hebel austauschbar.
- Keine überstehenden Teile, glatte Flächen, daher kein Hängenbleiben von Ligaturfäden usw.

Special advantages:

- Improved fixing system for interchangeable blades.
- No protruding parts, therefore no risk of catching sutures.



FB813R 50 x 66 mm
Sternotomieblätter
Sternotomy blades



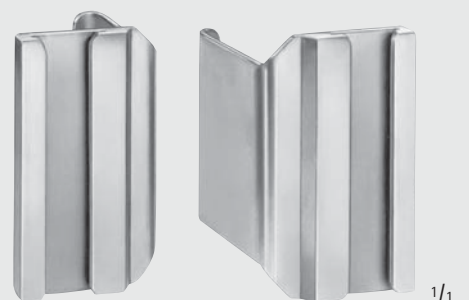
FB816R 60 x 60 mm
Blätter
Blades



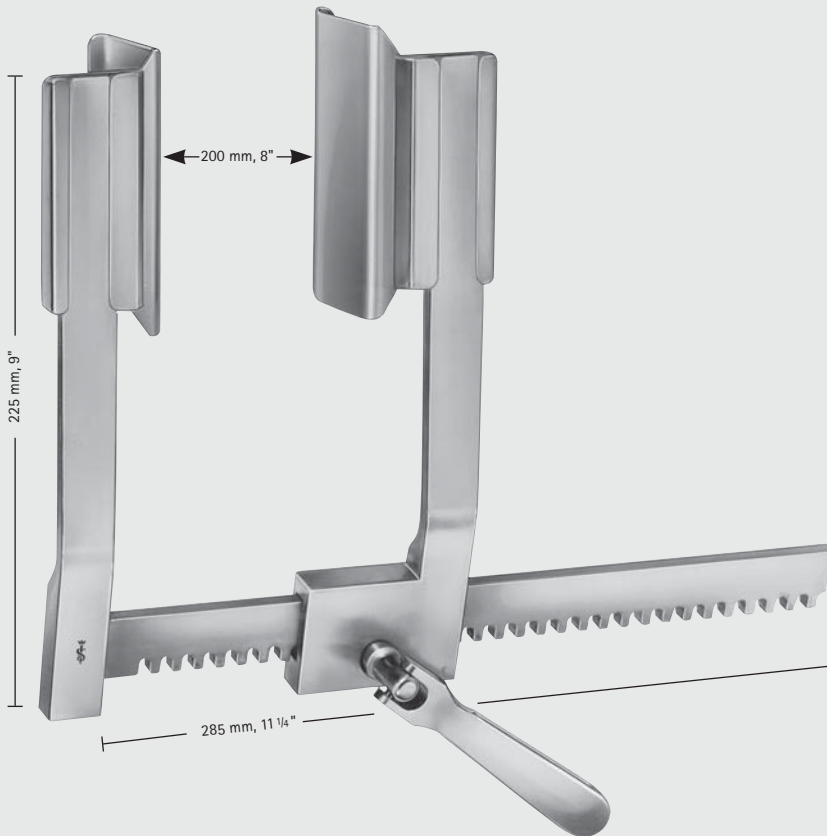
FB817R 50 x 80 mm
Blätter
Blades



FB818R 40 x 100 mm
Blätter
Blades



FB819R 80 x 60 mm
Blätter
Blades



DE BAKEY

FB814R

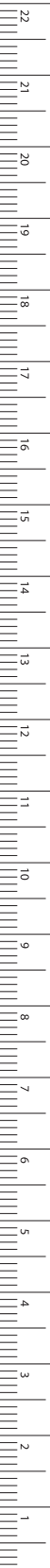
Rippensperrer komplett,
bestehend aus:

- FB815R Sperrer allein
- FB816R Blätter (Paar)
- FB817R Blätter (Paar)
- FB818R Blätter (Paar)

Spreader complete,
consisting:

- FB815R Spreader only
- FB816R Blades (pair)
- FB817R Blades (pair)
- FB818R Blades (pair)

FB

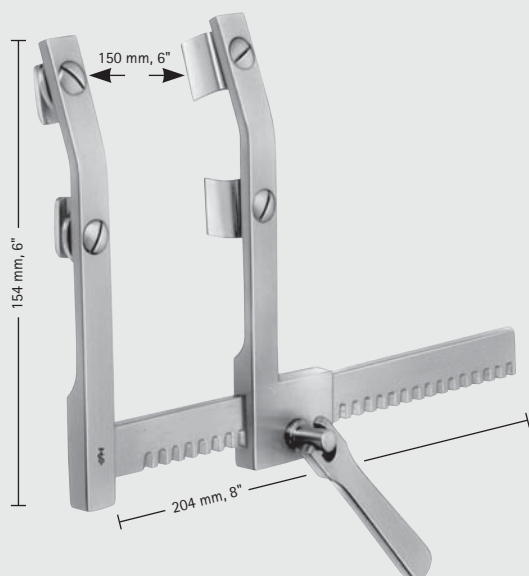


MILLIMETERS

Herz- und Gefäß-Chirurgie – Cardiovascular Surgery

Sternum-Sperrer
Sternum Spreaders

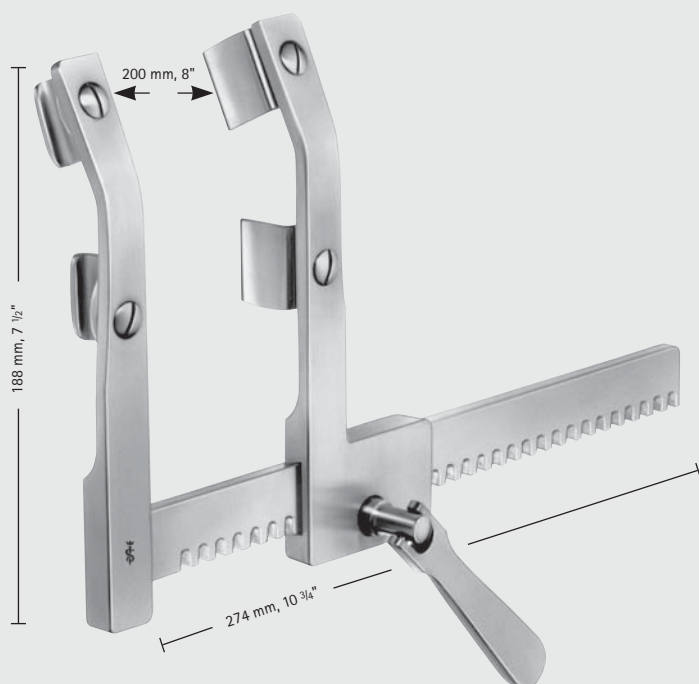
FB



MORSE

FB845R

für Kinder
mit beweglichen Doppelblättern
Blätter jeweils 12 x 20 mm
for children
with movable double blades
each blade 12 x 20 mm



MORSE

FB846R

für Erwachsene
mit beweglichen
Doppelblättern
Blätter jeweils 19 x 29 mm
for adults
with movable double blades
each blade 19 x 29 mm

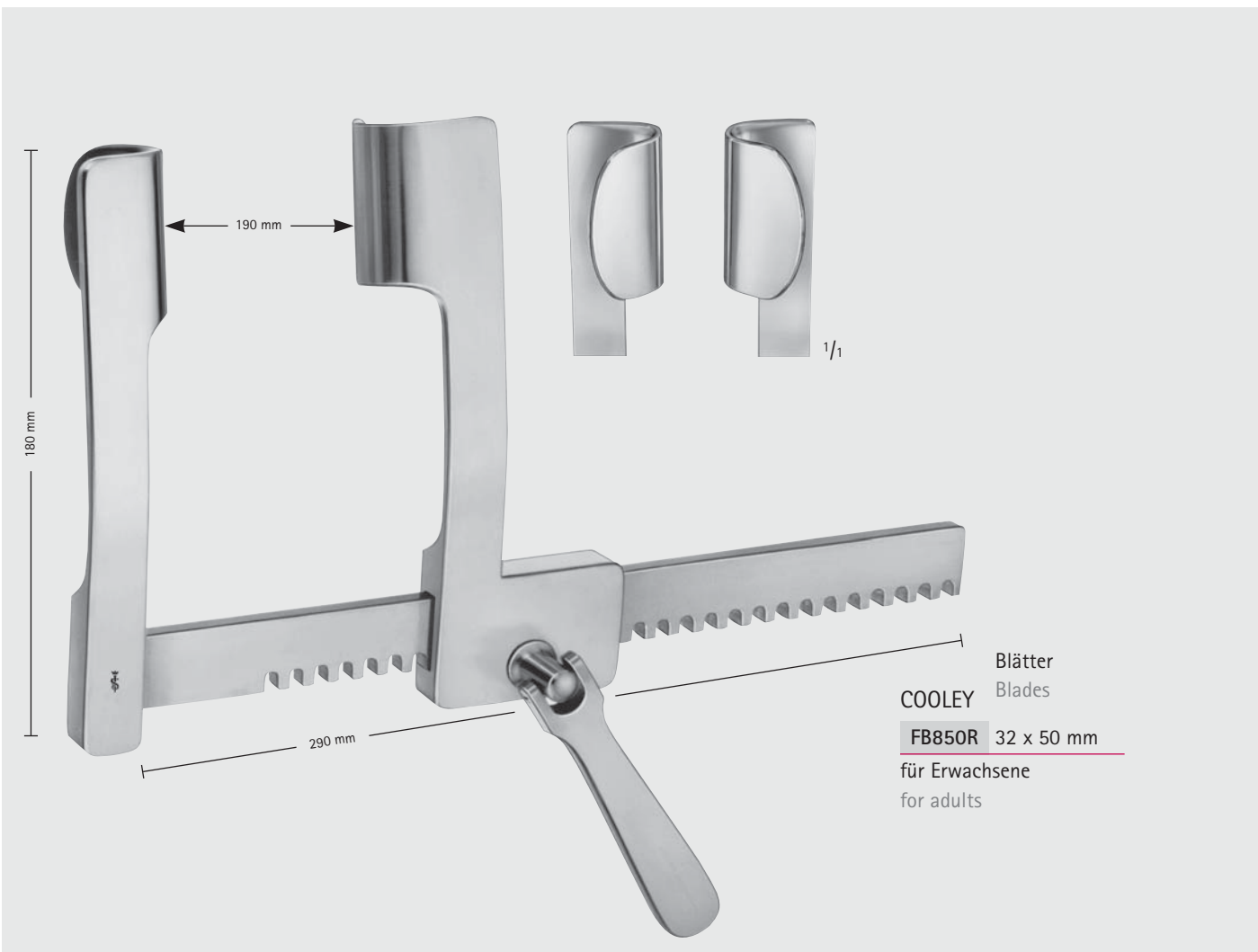
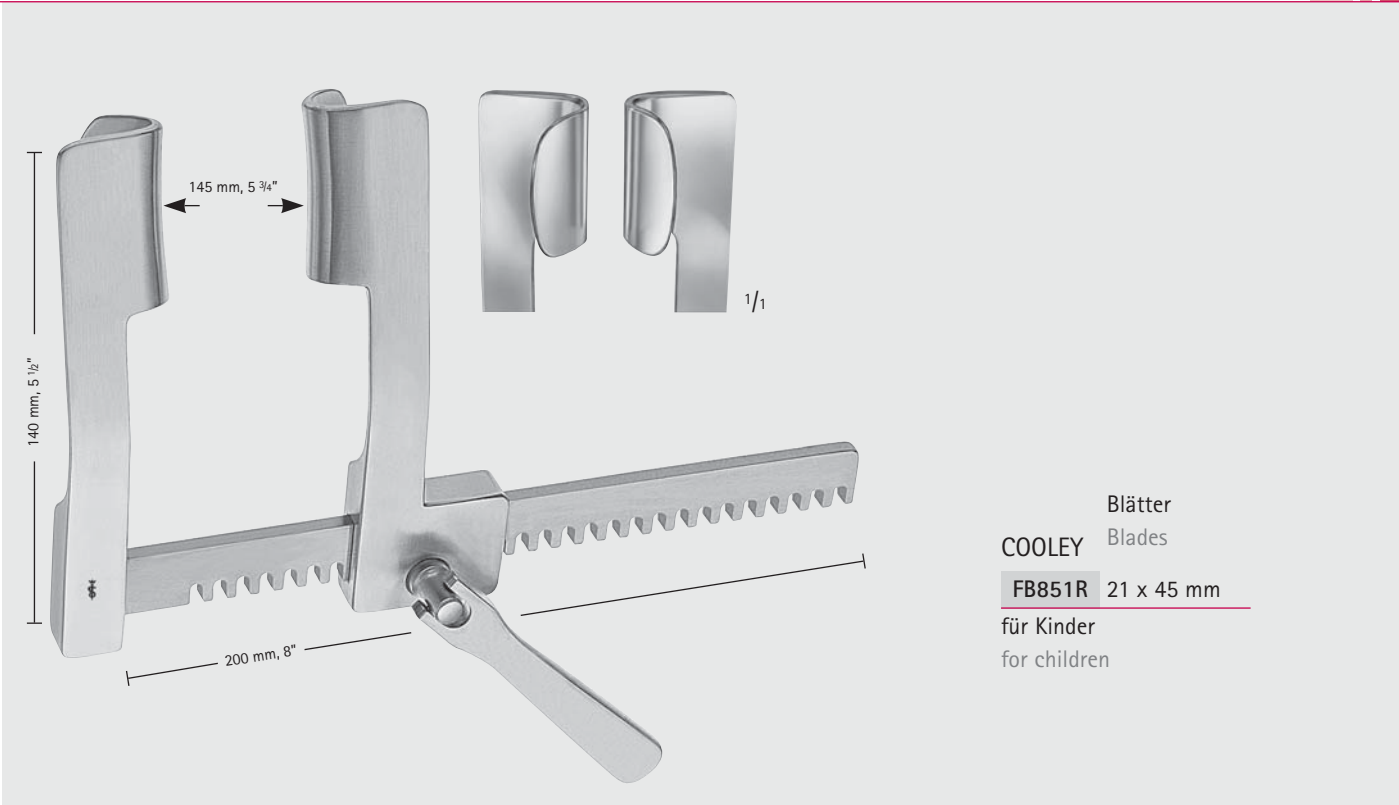
INCHES

Herz- und Gefäß-Chirurgie – Cardiovascular Surgery

Sternum-Sperrer

Sternum Spreaders

FB





FD306R

Vascular Dilator, 125 mm (5"), diam. 0,50 mm, non-sterile, reusable



Product search type	Vascular Dilator
Aesculap Product	
Groups	General Surgical Instruments
Length	125.00 mm
Length (Inch)	5
Diameter (mm)	0.50 mm
Data Matrix	No
Product contains Latex	No
Sterility	non-sterile
Disposable / Reusable	reusable



FD307R

Vascular Dilator, 125 mm (5"), diam. 1 mm, non-sterile, reusable



Product search type	Vascular Dilator
Aesculap Product	
Groups	General Surgical Instruments
Length	125.00 mm
Length (Inch)	5
Diameter (mm)	1.00 mm
Data Matrix	No
Product contains Latex	No
Sterility	non-sterile
Disposable / Reusable	reusable



FD308R

Vascular Dilator, 125 mm (5"), diam. 1,50 mm, non-sterile, reusable



Product search type	Vascular Dilator
Aesculap Product	
Groups	General Surgical Instruments
Length	125.00 mm
Length (Inch)	5
Diameter (mm)	1.50 mm
Data Matrix	No
Product contains Latex	No
Sterility	non-sterile
Disposable / Reusable	reusable

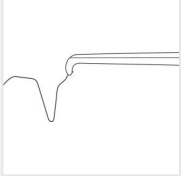


FD310R

BIEMER Vessel Spreader, 165 mm (6 1/2"), non-sterile, reusable



Product search type	Vessel Spreader
Author	BIEMER
Aesculap Product	
Groups	General Surgical Instruments
Length	165.00 mm
Length (Inch)	6 1/2
Surgical Step	Diss.-Tissue-Others
Data Matrix	No
Product contains Latex	No
Sterility	non-sterile
Disposable / Reusable	reusable

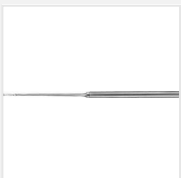


FD311R

JACOBSON Probe Ball Pointed, angled, 185 mm (7 1/4"), ball point tip, non-sterile, reusable



Product search type	Probe Ball Pointed
Author	JACOBSON
Aesculap Product	
Groups	General Surgical Instruments
Geometry	angled
Length	185.00 mm
Length (Inch)	7 1/4
Tip profile	ball point tip
Surgical Step	Diss.-Tissue-Others
Data Matrix	No
Product contains Latex	No
Sterility	non-sterile
Disposable / Reusable	reusable



FD312R

JACOBSON Probe Ball Pointed, straight, 185 mm (7 1/4"), 2 ball points, non-sterile, reusable

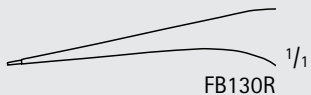


Product search type	Probe Ball Pointed
Author	JACOBSON
Aesculap Product	
Groups	General Surgical Instruments
Geometry	straight
Length	185.00 mm
Length (Inch)	7 1/4
Tip profile	2 ball points
Surgical Step	Diss.-Tissue-Others
Data Matrix	No
Product contains Latex	No
Sterility	non-sterile
Disposable / Reusable	reusable

General Surgery
Dressing and Tissue Forceps



FB130R



FB130R

Dilator Forceps

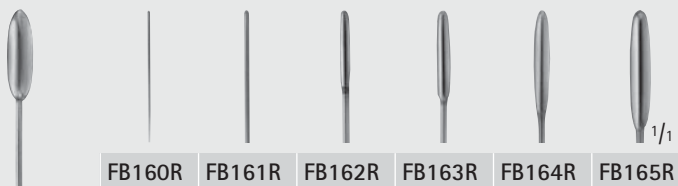
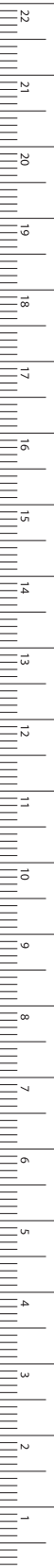
Catalog Number	Tip Size (mm)	Length (in.)
FB130R	0.2	4 1/2





Herz- und Gefäß-Chirurgie – Cardiovascular Surgery
 Gefäßdilatoren
 Vascular dilators

FB



FB160R FB161R FB162R FB163R FB164R FB165R

	Ø Diam.
FB160R	0,5 mm
FB161R	1,0 mm
FB162R	1,5 mm
FB163R	2,0 mm
FB164R	2,5 mm
FB165R	3,0 mm



FB166R FB167R FB168R FB169R FB170R FB172R

	Ø Diam.
FB166R	3,5 mm
FB167R	4,0 mm
FB168R	4,5 mm
FB169R	5,0 mm
FB170R	7,0 mm
FB172R	9,0 mm

DE BAKEY

FB160R-FB172R

Gefäßdilatoren, biegsam
 Vascular dilators, malleable
 190 mm, 7 1/2"

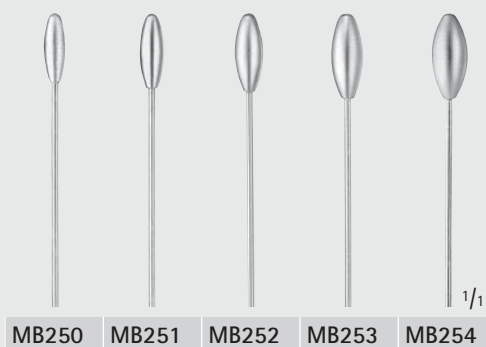
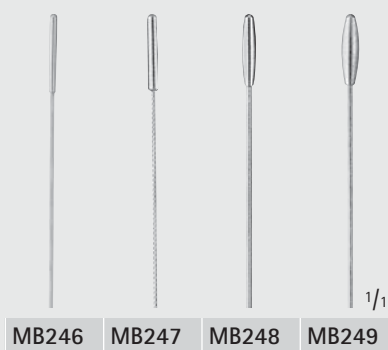
MILLIMETERS

Herz- und Gefäß-Chirurgie – Cardiovascular Surgery

Gefäßdilatoren

Vascular Dilators

FB

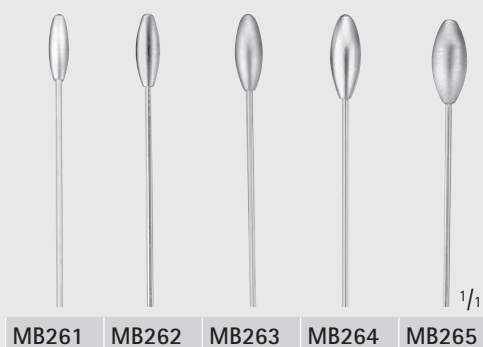
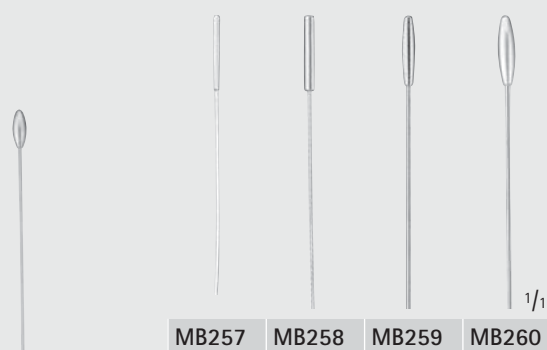


GARRETT

MB245

Set komplett,
bestehend aus:
MB246-MB254 jeweils 1 Dilator

Set complete,
consisting of:
MB246-MB254 1 dilator of each
140 mm, 5 1/2"



GARRETT

MB256

Set komplett,
bestehend aus:
MB257-MB265 jeweils 1 Dilator

Set complete,
consisting of:
MB257-MB265 1 dilator of each
215 mm, 8 1/2"

По вопросам продаж и поддержки обращайтесь:

Алматы (7273)495-231	Казань (843)206-01-48	Новокузнецк (3843)20-46-81	Смоленск (4812)29-41-54
Архангельск (8182)63-90-72	Калининград (4012)72-03-81	Новосибирск (383)227-86-73	Сочи (862)225-72-31
Астрахань (8512)99-46-04	Калуга (4842)92-23-67	Омск (3812)21-46-40	Ставрополь (8652)20-65-13
Барнаул (3852)73-04-60	Кемерово (3842)65-04-62	Орел (4862)44-53-42	Сургут (3462)77-98-35
Белгород (4722)40-23-64	Киров (8332)68-02-04	Оренбург (3532)37-68-04	Тверь (4822)63-31-35
Брянск (4832)59-03-52	Краснодар (861)203-40-90	Пенза (8412)22-31-16	Томск (3822)98-41-53
Владивосток (423)249-28-31	Красноярск (391)204-63-61	Пермь (342)205-81-47	Тула (4872)74-02-29
Волгоград (844)278-03-48	Курск (4712)77-13-04	Ростов-на-Дону (863)308-18-15	Тюмень (3452)66-21-18
Вологда (8172)26-41-59	Липецк (4742)52-20-81	Рязань (4912)46-61-64	Ульяновск (8422)24-23-59
Воронеж (473)204-51-73	Магнитогорск (3519)55-03-13	Самара (846)206-03-16	Уфа (347)229-48-12
Екатеринбург (343)384-55-89	Москва (495)268-04-70	Санкт-Петербург (812)309-46-40	Хабаровск (4212)92-98-04
Иваново (4932)77-34-06	Мурманск (8152)59-64-93	Саратов (845)249-38-78	Челябинск (351)202-03-61
Ижевск (3412)26-03-58	Набережные Челны (8552)20-53-41	Севастополь (8692)22-31-93	Череповец (8202)49-02-64
Иркутск (395)279-98-46	Нижний Новгород (831)429-08-12	Симферополь (3652)67-13-56	Ярославль (4852)69-52-93
Россия (495)268-04-70	Киргизия (996)312-96-26-47	Казахстан (7172)727-132	