

Технические характеристики

По вопросам продаж и поддержки обращайтесь:

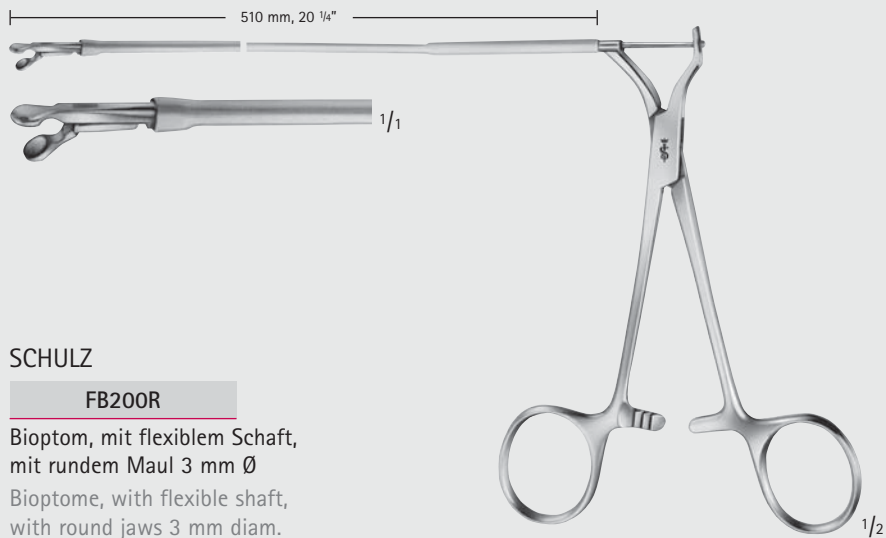
Алматы (7273)495-231	Казань (843)206-01-48	Новокузнецк (3843)20-46-81	Смоленск (4812)29-41-54
Архангельск (8182)63-90-72	Калининград (4012)72-03-81	Новосибирск (383)227-86-73	Сочи (862)225-72-31
Астрахань (8512)99-46-04	Калуга (4842)92-23-67	Омск (3812)21-46-40	Ставрополь (8652)20-65-13
Барнаул (3852)73-04-60	Кемерово (3842)65-04-62	Орел (4862)44-53-42	Сургут (3462)77-98-35
Белгород (4722)40-23-64	Киров (8332)68-02-04	Оренбург (3532)37-68-04	Тверь (4822)63-31-35
Брянск (4832)59-03-52	Краснодар (861)203-40-90	Пенза (8412)22-31-16	Томск (3822)98-41-53
Владивосток (423)249-28-31	Красноярск (391)204-63-61	Пермь (342)205-81-47	Тула (4872)74-02-29
Волгоград (844)278-03-48	Курск (4712)77-13-04	Ростов-на-Дону (863)308-18-15	Тюмень (3452)66-21-18
Вологда (8172)26-41-59	Липецк (4742)52-20-81	Рязань (4912)46-61-64	Ульяновск (8422)24-23-59
Воронеж (473)204-51-73	Магнитогорск (3519)55-03-13	Самара (846)206-03-16	Уфа (347)229-48-12
Екатеринбург (343)384-55-89	Москва (495)268-04-70	Санкт-Петербург (812)309-46-40	Хабаровск (4212)92-98-04
Иваново (4932)77-34-06	Мурманск (8152)59-64-93	Саратов (845)249-38-78	Челябинск (351)202-03-61
Ижевск (3412)26-03-58	Набережные Челны (8552)20-53-41	Севастополь (8692)22-31-93	Череповец (8202)49-02-64
Иркутск (395)279-98-46	Нижний Новгород (831)429-08-12	Симферополь (3652)67-13-56	Ярославль (4852)69-52-93
Россия (495)268-04-70	Киргизия (996)312-96-26-47	Казахстан (7172)727-132	

Herz- und Gefäß-Chirurgie – Cardiovascular Surgery

Bioptom und Aorta-Dilatatoren, Aortenstanzen

Bioptome und Aortic Dilators, Aorta Punches

FB

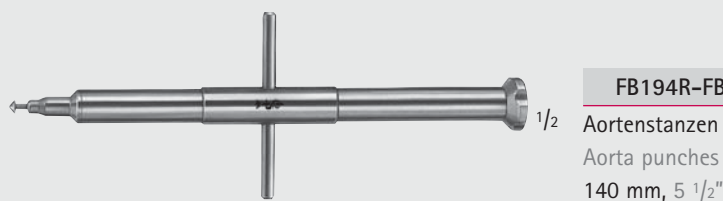


SCHULZ

FB200R

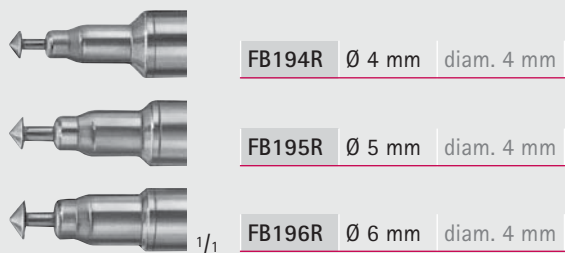
Bioptom, mit flexiblem Schaft,
mit rundem Maul 3 mm Ø

Bioptome, with flexible shaft,
with round jaws 3 mm diam.



FB194R-FB196R

Aortenstanzen
Aorta punches
140 mm, 5 1/2"



FB194R Ø 4 mm diam. 4 mm

FB195R Ø 5 mm diam. 4 mm

FB196R Ø 6 mm diam. 4 mm

VASCUCUT Stanzenköpfe
Bestelleinheit:

PAK = Packung à 5 Stück

VASCUCUT Punch heads

Sales unit:

PAK = Package of 5 pieces



FB184R

Ø 4 mm
diam. 4 mm

FB185R

Ø 5 mm
diam. 5 mm

FB186R

Ø 6 mm
diam. 6 mm

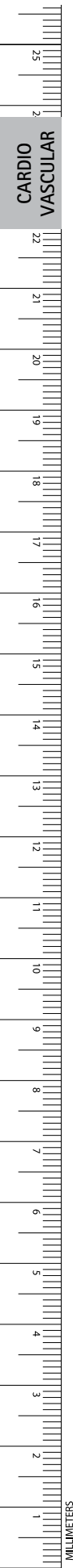
FB180R

VASCUCUT Handgriff allein
VASCUCUT Handle only

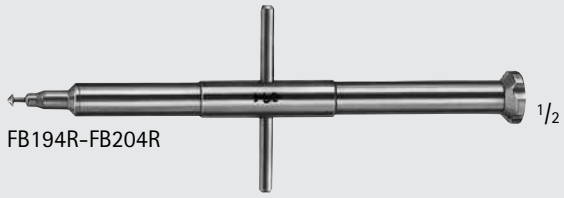
INCHES

Cardiovascular

Specialty CV/Thoracic Instruments



CARDIO
VASCULAR



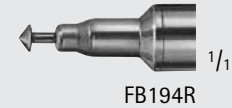
FB194R-FB204R



FB201R



FB202R



FB194R



FB203R



FB195R



FB204R



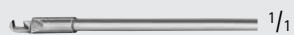
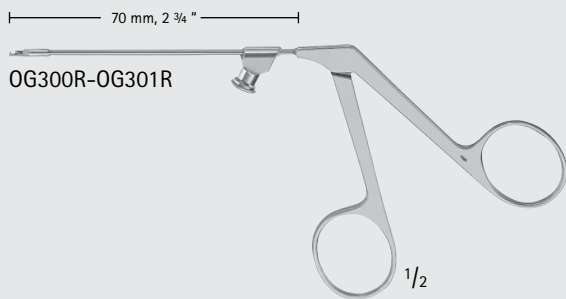
FB196R

Aorta Punch

Catalog Number	Tip Size (mm)	Length (in.)
FB201R	3.0	5 1/2
FB202R	3.5	5 1/2
FB194R	4.0	5 1/2
FB203R	4.5	5 1/2
FB195R	5.0	5 1/2
FB204R	5.5	5 1/2
FB196R	6.0	5 1/2

ENT-EAR

Nippers/Crimping Forceps/Wire Guides/Cutters/Snares



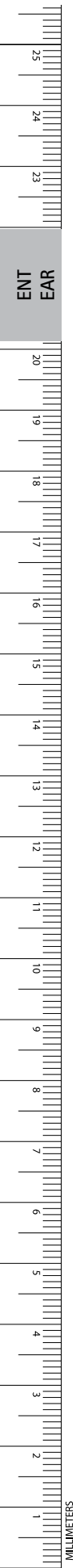
OG300R



OG301R

DIETER Malleus Nipper

Catalog Number	Tip	Working Length (in.)
OG300R	UP BITE	2 3/4
OG301R	DOWN BITE	2 3/4



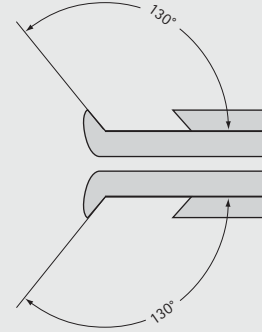
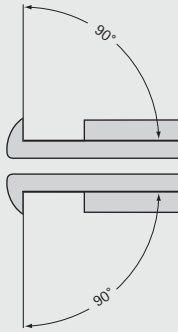
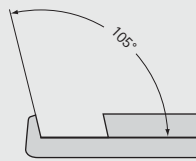
ENT
EAR

MILLIMETERS

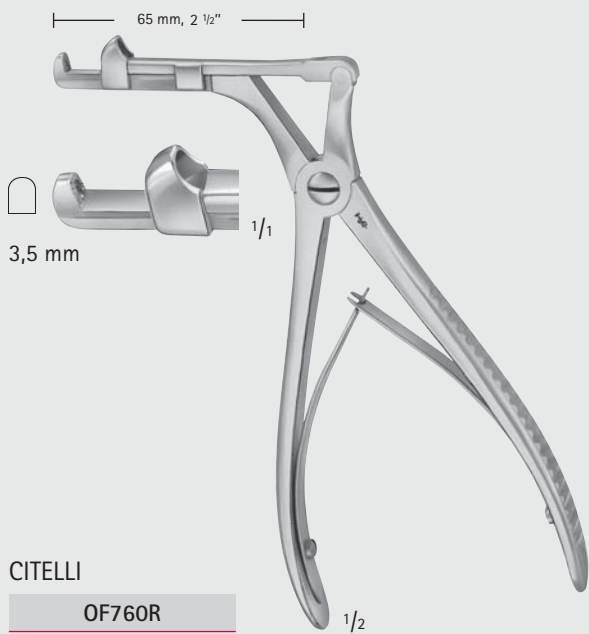
Knochenstanzen, Rongeurs – Bone Punches, Rongeurs

Stanzen
Punches

Winkelstellungen bei Stanzen
Angled positions for punches



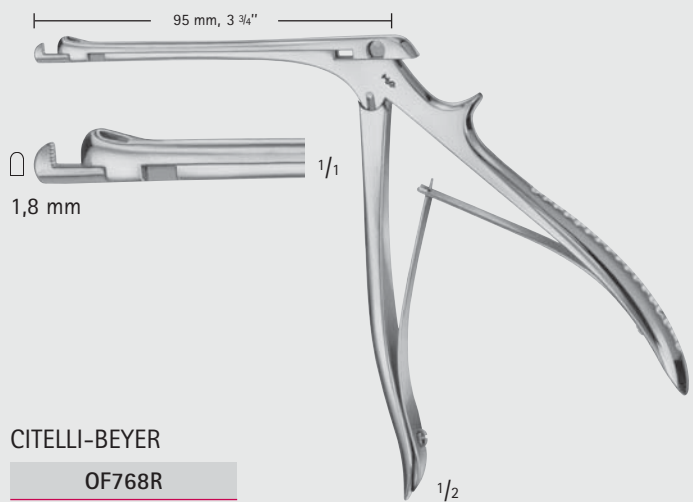
90° nach oben schneidend
upwards cutting



CITELLI

OF760R

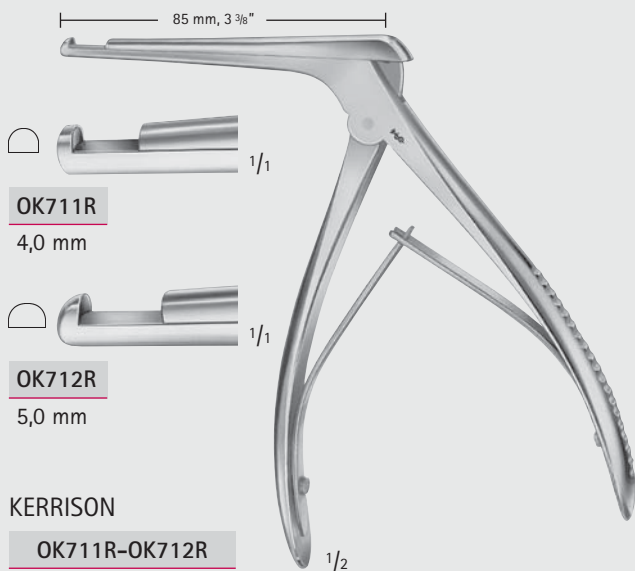
90° nach oben schneidend
upwards cutting



CITELLI-BEIER

OF768R

90° nach oben schneidend
upwards cutting



OK711R

4,0 mm

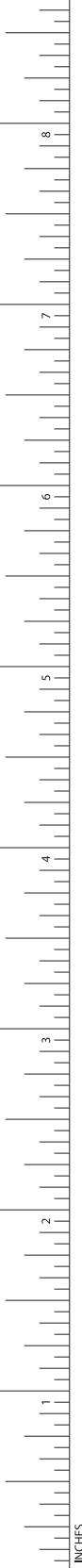
OK712R

5,0 mm

KERRISON

OK711R-OK712R

FF



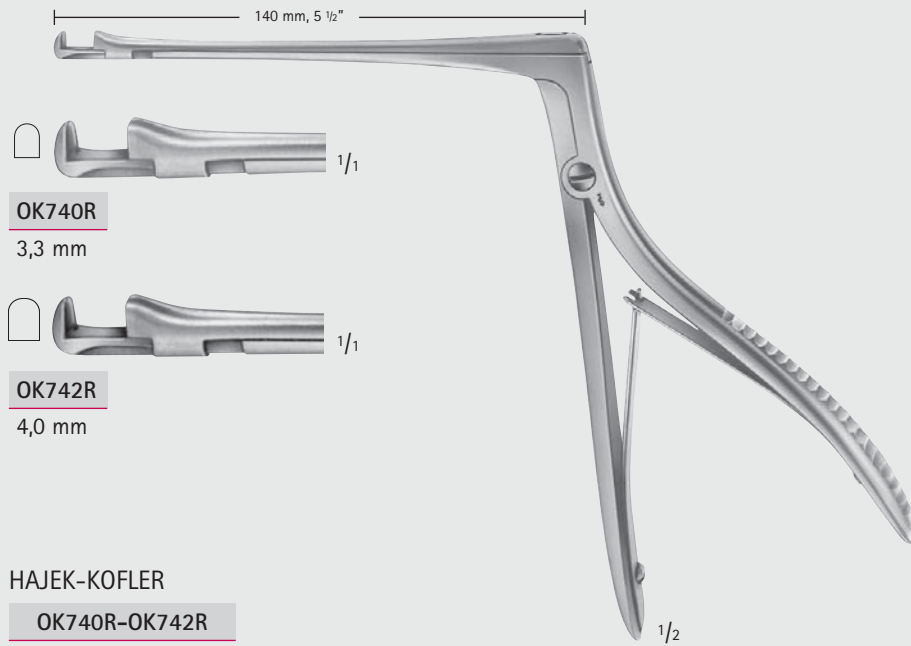


Knochenstanzen, Rongeurs – Bone Punches, Rongeurs

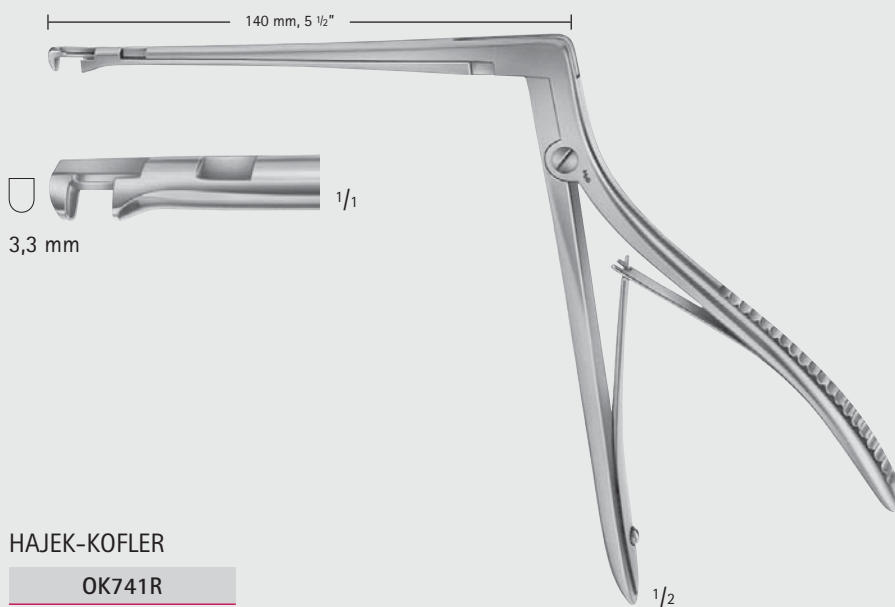
Stanzen
Punches

FF

90° nach oben schneidend
upwards cutting



90° nach unten schneidend
downwards cutting

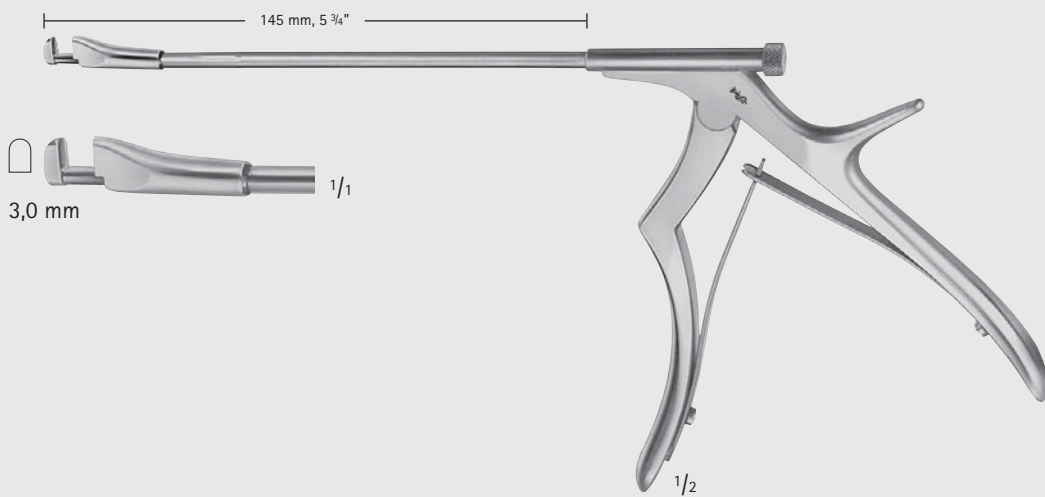


MILLIMETERS

Knochenstanzen, Rongeurs – Bone Punches, Rongeurs

Stanzen
Punches

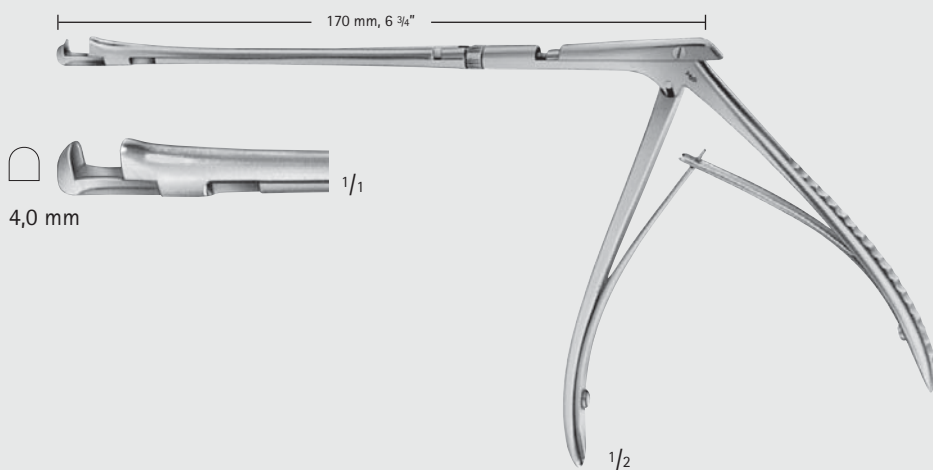
90° drehbar 360°
rotates 360°



KOFLER

OK737R

90° drehbar 360°
rotates 360°



HAJEK-KOFLER

OK745R



OK581R

Antrum Punch, working length: 100 mm (4), reverse action, non-sterile, reusable



Product search type	Antrum Punch
Aesculap Product Groups	General Surgical Instruments
Working length (mm)	100.0 mm
Working length (Inch)	4
Blades / Jaw	reverse action
Discipline	Maxillo-Facial Surgery, Ear-Nose-Throat Surgery
Type of Sterilization	not sterilized ex works
Data Matrix	Yes
Disposable / Reusable	reusable
Product contains Latex	No
Sterility	non-sterile



OK584R

Antrum Punch, working length: 100 mm (4), forward cutting, non-sterile, reusable



Product search type	Antrum Punch
Aesculap Product Groups	General Surgical Instruments
Working length (mm)	100.0 mm
Working length (Inch)	4
Blades / Jaw	forward cutting
Discipline	Ear-Nose-Throat Surgery, Maxillo-Facial Surgery
Type of Sterilization	not sterilized ex works
Data Matrix	Yes
Disposable / Reusable	reusable
Product contains Latex	No
Sterility	non-sterile



OK582R

Antrum Punch, working length: 100 mm (4), reverse action, non-sterile, reusable



Product search type	Antrum Punch
Aesculap Product Groups	General Surgical Instruments
Working length (mm)	100.0 mm
Working length (Inch)	4
Blades / Jaw	reverse action
Discipline	Maxillo-Facial Surgery, Ear-Nose-Throat Surgery
Type of Sterilization	not sterilized ex works
Data Matrix	Yes
Disposable / Reusable	reusable
Product contains Latex	No
Sterility	non-sterile



OK583R

Antrum Punch, working length: 100 mm (4), forward cutting, non-sterile, reusable



Product search type	Antrum Punch
Aesculap Product	
Groups	General Surgical Instruments
Working length (mm)	100.0 mm
Working length (Inch)	4
Blades / Jaw	forward cutting
Discipline	Ear-Nose-Throat Surgery, Maxillo-Facial Surgery
Type of Sterilization	not sterilized ex works
Data Matrix	Yes
Disposable / Reusable	reusable
Product contains Latex	No
Sterility	non-sterile



OK580R

Antrum Punch, backward straight, working length: 100 mm (4), reverse action, non-sterile, reusable



Product search type	Antrum Punch
Aesculap Product	
Groups	General Surgical Instruments
Geometry	backward straight
Working length (mm)	100.0 mm
Working length (Inch)	4
Blades / Jaw	reverse action
Discipline	Ear-Nose-Throat Surgery, Maxillo-Facial Surgery
Type of Sterilization	not sterilized ex works
Data Matrix	Yes
Disposable / Reusable	reusable
Product contains Latex	No
Sterility	non-sterile



OK704R

OSTROM Antrum Punch, 92 mm (3 1/2"), reverse action, non-sterile, reusable



Product search type	Antrum Punch
Author	OSTROM
Aesculap Product	
Groups	ENT, General Surgical Instruments
Length	92.00 mm
Length (Inch)	3 1/2
Blades / Jaw	reverse action
Recommended Storage System	JF346, JG304, JG305, JG306, JG323, JG340
Discipline	Ear-Nose-Throat Surgery, Maxillo-Facial Surgery
Indication	Sinus And Hypophysectomy
Surgical Step	Diss.-Tissue-Others
Type of Sterilization	not sterilized ex works
Data Matrix	Yes
Disposable / Reusable	reusable
Product contains Latex	No
Sterility	non-sterile



OL670R

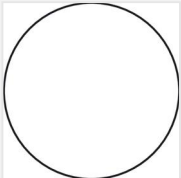
KEYES Dermal Punch complete instrument, non-sterile, reusable

Product search type	Dermal Punch
Author	KEYES
Aesculap Product	
Groups	General Surgical Instruments
Type	complete instrument
Discipline	General Surgery, Plastic Surgery
Surgical Step	Diss.-Tissue-Others
Type of Sterilization	not sterilized ex works
Data Matrix	Yes
Disposable / Reusable	reusable
Product contains Latex	No
Sterility	non-sterile



OM902R

HARTMANN Tonsil Punch, 120 mm (4 3/4"), diam. 13 mm, non-sterile, reusable

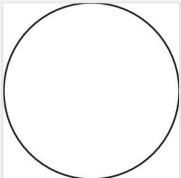


Product search type	Tonsil Punch
Author	HARTMANN
Aesculap Product	
Groups	General Surgical Instruments, ENT
Length	120.00 mm
Length (Inch)	4 3/4
Diameter (mm)	13.00 mm
Discipline	Ear-Nose-Throat Surgery
Indication	Adenoidectomy, Tonsillectomy
Surgical Step	Diss.-Tissue-Others
Type of Sterilization	not sterilized ex works
Data Matrix	Yes
Disposable / Reusable	reusable
Product contains Latex	No
Sterility	non-sterile



OM903R

HARTMANN Tonsil Punch, 120 mm (4 3/4"), diam. 15 mm, non-sterile, reusable



Product search type	Tonsil Punch
Author	HARTMANN
Aesculap Product	
Groups	ENT, General Surgical Instruments
Length	120.00 mm
Length (Inch)	4 3/4
Diameter (mm)	15.00 mm
Discipline	Ear-Nose-Throat Surgery
Indication	Tonsillectomy, Adenoidectomy
Surgical Step	Diss.-Tissue-Others
Type of Sterilization	not sterilized ex works
Data Matrix	Yes
Disposable / Reusable	reusable
Product contains Latex	No
Sterility	non-sterile

По вопросам продаж и поддержки обращайтесь:

Алматы (7273)495-231	Казань (843)206-01-48	Новокузнецк (3843)20-46-81	Смоленск (4812)29-41-54
Архангельск (8182)63-90-72	Калининград (4012)72-03-81	Новосибирск (383)227-86-73	Сочи (862)225-72-31
Астрахань (8512)99-46-04	Калуга (4842)92-23-67	Омск (3812)21-46-40	Ставрополь (8652)20-65-13
Барнаул (3852)73-04-60	Кемерово (3842)65-04-62	Орел (4862)44-53-42	Сургут (3462)77-98-35
Белгород (4722)40-23-64	Киров (8332)68-02-04	Оренбург (3532)37-68-04	Тверь (4822)63-31-35
Брянск (4832)59-03-52	Краснодар (861)203-40-90	Пенза (8412)22-31-16	Томск (3822)98-41-53
Владивосток (423)249-28-31	Красноярск (391)204-63-61	Пермь (342)205-81-47	Тула (4872)74-02-29
Волгоград (844)278-03-48	Курск (4712)77-13-04	Ростов-на-Дону (863)308-18-15	Тюмень (3452)66-21-18
Вологда (8172)26-41-59	Липецк (4742)52-20-81	Рязань (4912)46-61-64	Ульяновск (8422)24-23-59
Воронеж (473)204-51-73	Магнитогорск (3519)55-03-13	Самара (846)206-03-16	Уфа (347)229-48-12
Екатеринбург (343)384-55-89	Москва (495)268-04-70	Санкт-Петербург (812)309-46-40	Хабаровск (4212)92-98-04
Иваново (4932)77-34-06	Мурманск (8152)59-64-93	Саратов (845)249-38-78	Челябинск (351)202-03-61
Ижевск (3412)26-03-58	Набережные Челны (8552)20-53-41	Севастополь (8692)22-31-93	Череповец (8202)49-02-64
Иркутск (395)279-98-46	Нижний Новгород (831)429-08-12	Симферополь (3652)67-13-56	Ярославль (4852)69-52-93
Россия (495)268-04-70	Киргизия (996)312-96-26-47	Казахстан (7172)727-132	