

Технические характеристики

По вопросам продаж и поддержки обращайтесь:

Алматы (7273)495-231	Казань (843)206-01-48	Новокузнецк (3843)20-46-81	Смоленск (4812)29-41-54
Архангельск (8182)63-90-72	Калининград (4012)72-03-81	Новосибирск (383)227-86-73	Сочи (862)225-72-31
Астрахань (8512)99-46-04	Калуга (4842)92-23-67	Омск (3812)21-46-40	Ставрополь (8652)20-65-13
Барнаул (3852)73-04-60	Кемерово (3842)65-04-62	Орел (4862)44-53-42	Сургут (3462)77-98-35
Белгород (4722)40-23-64	Киров (8332)68-02-04	Оренбург (3532)37-68-04	Тверь (4822)63-31-35
Брянск (4832)59-03-52	Краснодар (861)203-40-90	Пенза (8412)22-31-16	Томск (3822)98-41-53
Владивосток (423)249-28-31	Красноярск (391)204-63-61	Пермь (342)205-81-47	Тула (4872)74-02-29
Волгоград (844)278-03-48	Курск (4712)77-13-04	Ростов-на-Дону (863)308-18-15	Тюмень (3452)66-21-18
Вологда (8172)26-41-59	Липецк (4742)52-20-81	Рязань (4912)46-61-64	Ульяновск (8422)24-23-59
Воронеж (473)204-51-73	Магнитогорск (3519)55-03-13	Самара (846)206-03-16	Уфа (347)229-48-12
Екатеринбург (343)384-55-89	Москва (495)268-04-70	Санкт-Петербург (812)309-46-40	Хабаровск (4212)92-98-04
Иваново (4932)77-34-06	Мурманск (8152)59-64-93	Саратов (845)249-38-78	Челябинск (351)202-03-61
Ижевск (3412)26-03-58	Набережные Челны (8552)20-53-41	Севастополь (8692)22-31-93	Череповец (8202)49-02-64
Иркутск (395)279-98-46	Нижний Новгород (831)429-08-12	Симферополь (3652)67-13-56	Ярославль (4852)69-52-93
Россия (495)268-04-70	Киргизия (996)312-96-26-47	Казахстан (7172)727-132	



Wundhaken – Wound Retractors
Wundhaken, Bauchdeckenhaken
Retractors, Abdominal Retractors

BT



TUDOR-EDWARDS

BT500R

205 mm, 8"

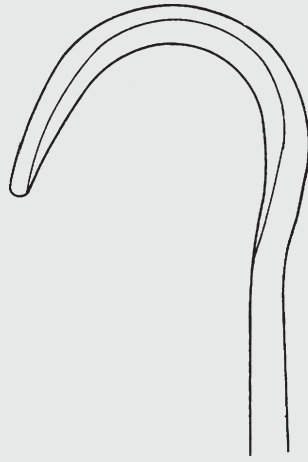




Wundhaken – Wound Retractors

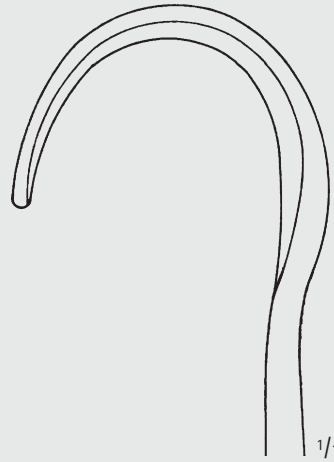
Wundhaken, Bauchdeckenhaken
Retractors, Abdominal Retractors

BT



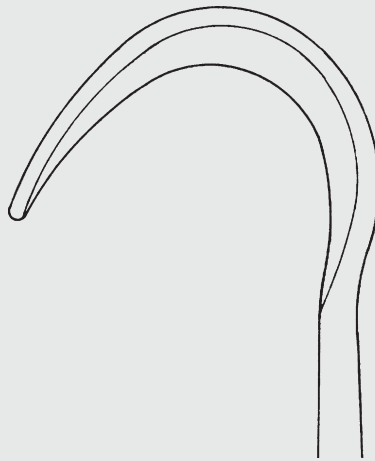
BT655R

Fig. 1
32 x 40 mm



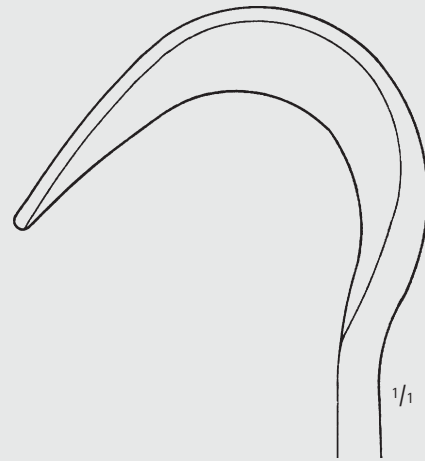
BT656R

Fig. 2
34 x 50 mm



BT657R

Fig. 3
41 x 60 mm



BT658R

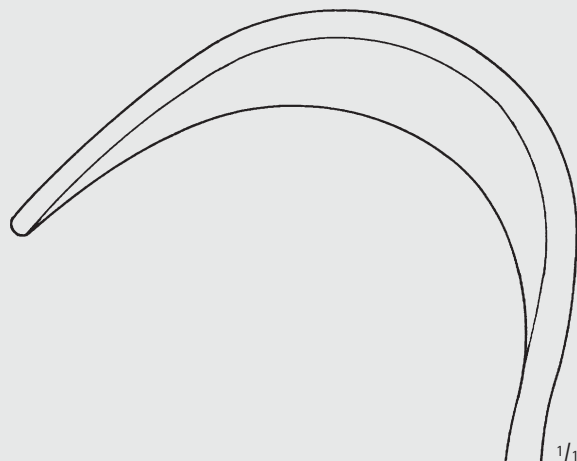
Fig. 4
46 x 75 mm



FRITSCH

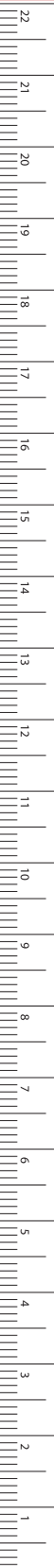
BT655R-BT659R

235 mm, 9 1/4"



BT659R

Fig. 5
64 x 85 mm



MILLIMETERS

Wundhaken – Wound Retractors

Wundhaken, Bauchdeckenhaken

Retractors, Abdominal Retractors

Maßangaben für Blattgrößen der Wundhaken

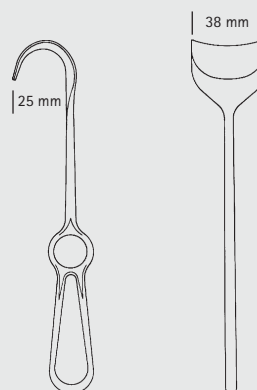
1. Zahl = Tiefe Beispiel: 25 x 38 mm

2. Zahl = Breite

Dimensions for blade size of retractors

1st number = depth Example: 25 x 38 mm

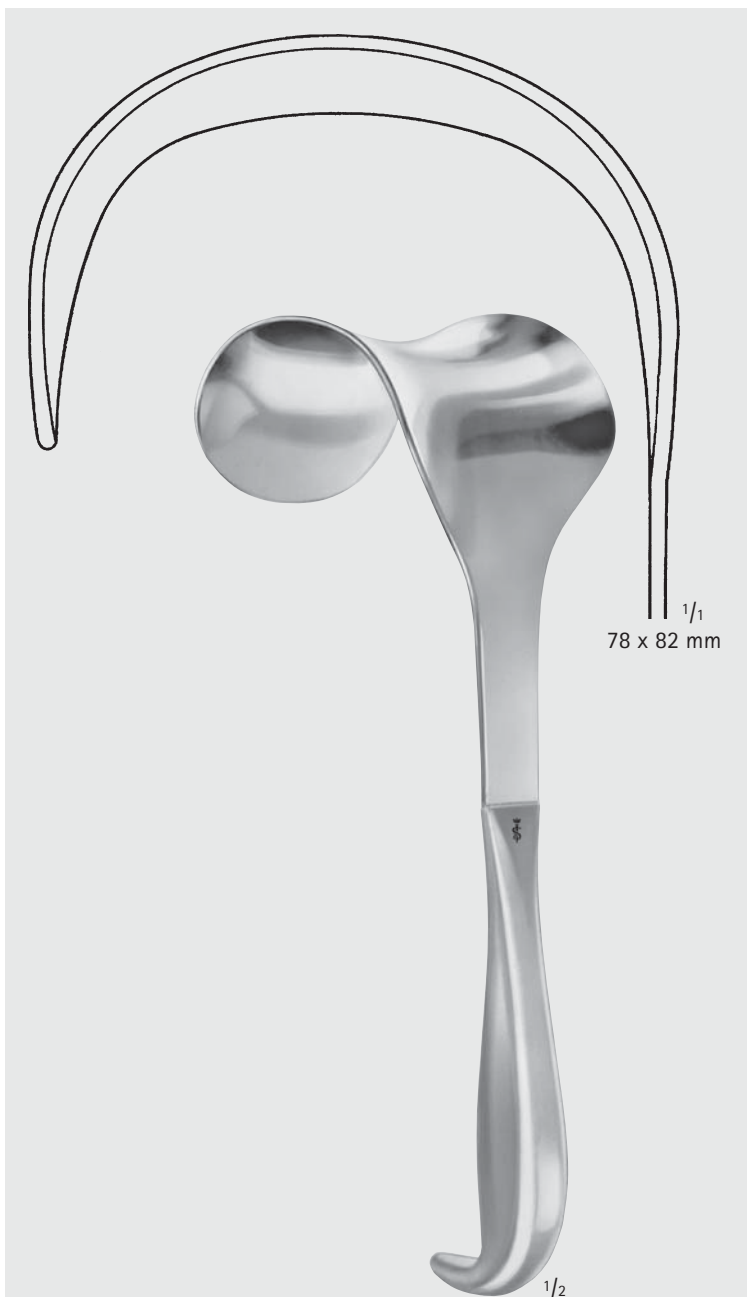
2nd number = width



DOYEN

BT667R

250 mm, 10"



DOYEN

BT669R

260 mm, 10 1/4"

BT





Wundhaken – Wound Retractors

Bauchdeckenhaken
Abdominal Retractors

BT



¹/₃

DOYEN

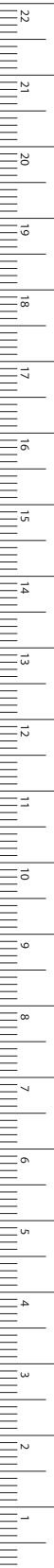
BT721R	48 x 90 mm
BT723R	48 x 105 mm
BT724R	48 x 120 mm
BT725R	48 x 135 mm

280 mm, 11"



BT703R

Kette (BT704R) mit Gewicht (EL747R/645 g)
Chain (BT704R) with weight (EL747R/645 g)
790 mm, 31"



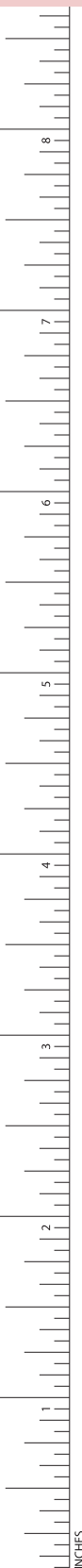
MILLIMETERS

Wundhaken – Wound Retractors

Bauchdeckenhaken

Abdominal Retractors

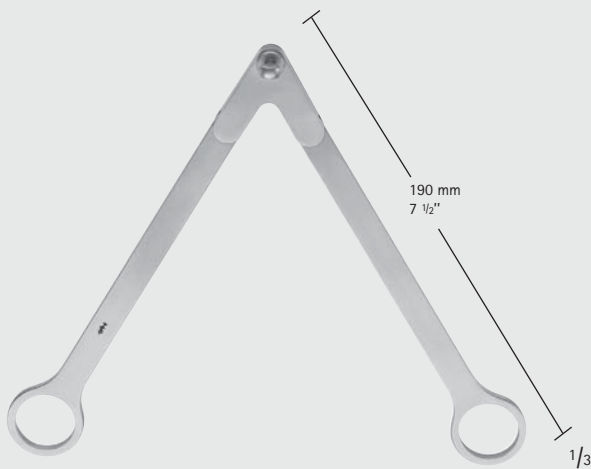
BT



ROCHARD

BT711R	48 x 90 mm
BT712R	48 x 105 mm
BT713R	48 x 120 mm
BT714R	48 x 135 mm
BT715R	48 x 155 mm

310 mm, 12 1/4"



ROCHARD

BT710R

Fixiervorrichtung für
BT711R - BT715R

Fixation device for
BT711R - BT715R

190 mm, 8"



ROCHARD

BT710R-BT711R

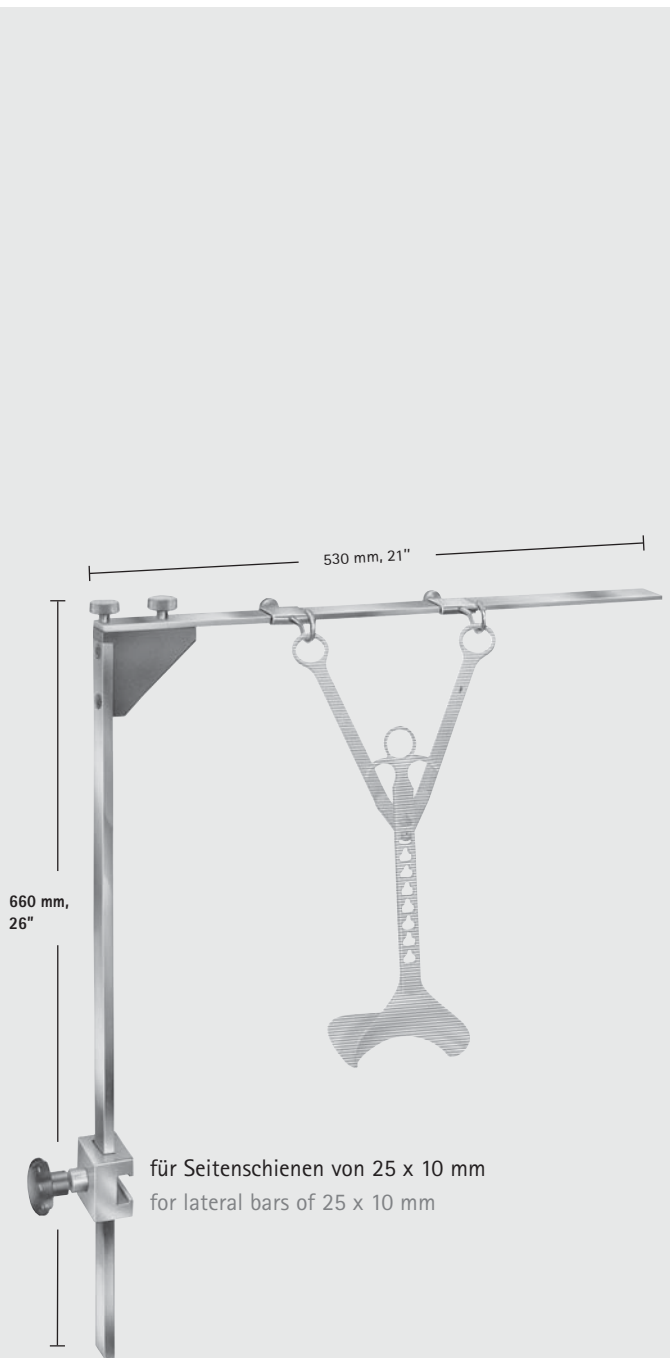


Wundhaken – Wound Retractors

Bauchdeckenhaken
Abdominal Retractors

BT

Befestigungsgestelle zu verwenden mit:
BT710R Fixiervorrichtung und
BT711R - BT715R ROCHARD Bauchdeckenhalter
Mounting frames to be used with:
BT710R Fixation device and
BT711R - BT715R ROCHARD abdominal retractors

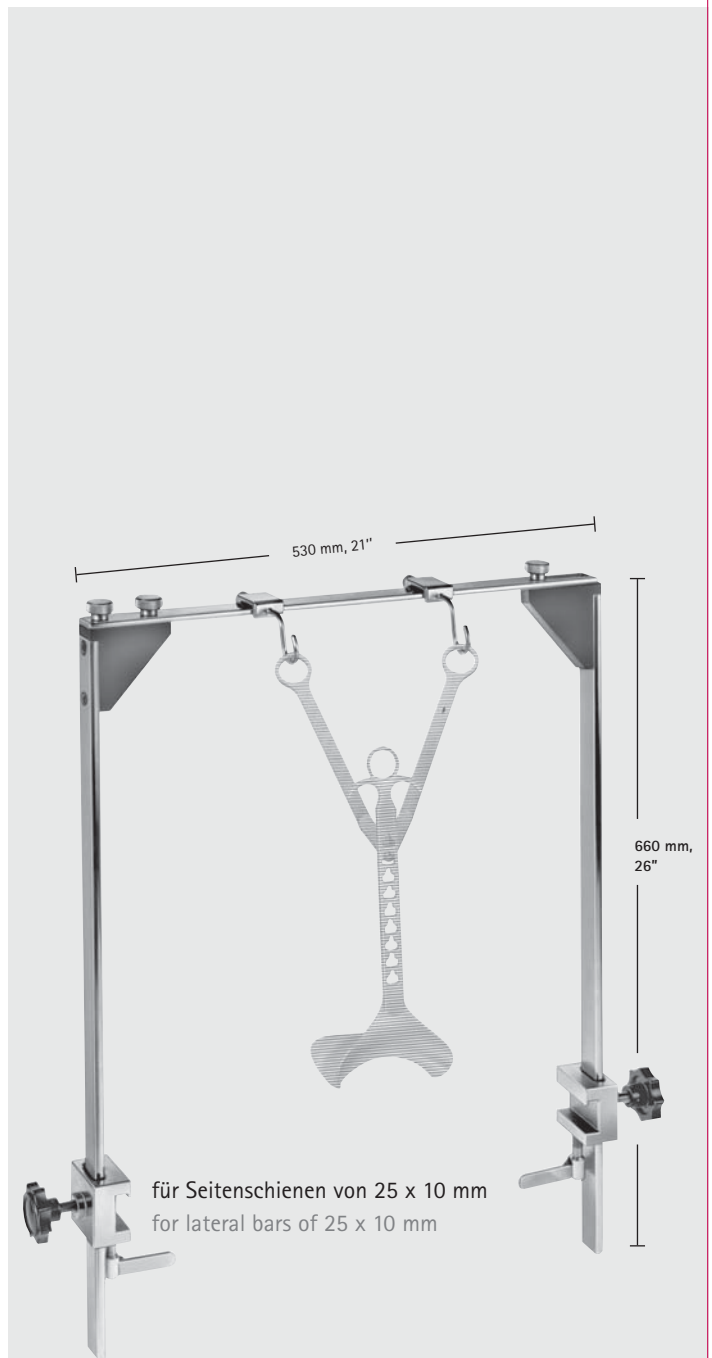


ROCHARD

BT709R

Befestigungsgestell zur Fixierung an den Seitenschienen der OP-Tische, zerlegbar zur Aufbereitung und Sterilisation.

Mounting frame for fastening to the lateral bars of the operating tables, can be dismantled for decontamination and sterilization.



ROCHARD

BT708R

Befestigungsgestell mit beidseitiger Fixierung an den Seitenschienen der OP-Tische, dadurch mehr Stabilität, zur Aufbereitung und Sterilisation zerlegbar.

Mounting frame for fastening to both sides of the is given, can be dismantled for decontamination and sterilization.



MILLIMETERS

Wundhaken – Wound Retractors

Bauch- und Darmspatel

Abdominal and Intestinal Spatulas

BT



REVERDIN

BT749R

285 mm, 11 1/4"



HABERER

BT758R

biegsam
malleable
305 mm, 12"



RIBBON

BT756R	25 mm
BT761R	30 mm
BT762R	40 mm
BT763R	50 mm

biegsam
malleable
330 mm, 13 1/8"



TUFFIER

BT750R

biegsam
malleable
200 mm, 8"



BT751R	12 mm	200 mm	8"
BT752R	17 mm	200 mm	8"
BT755R	25 mm	250 mm	10"

biegsam
malleable

Wundspreizer, Bauchdeckenhalter – Self-Retaining Retractors, Abdominal Retractors

Bauchdeckenhalter

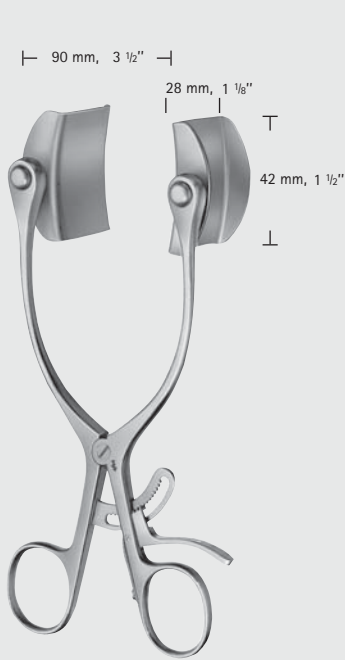
Abdominal Retractors

KUGELSCHNELLVERSCHLUSS

BALL SNAP CLOSURE



BV

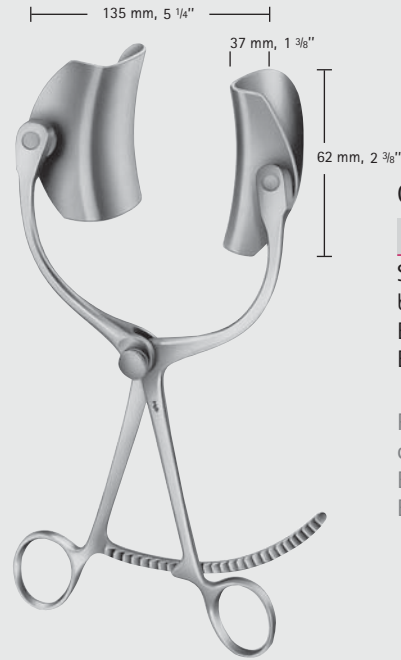


BABY-COLLIN

BV329R

Sperrer komplett,
bestehend aus:
BV327R Sperrer allein
BV326R Blätter (Paar)
18 x 42 mm
BV328R Blätter (Paar)
28 x 42 mm

Retractor complete,
consisting of:
BV327R Spreader only
BV326R Blades (pair)
18 x 42 mm
BV328R Blades (pair)
28 x 42 mm



COLLIN

BV530R

Sperrer komplett,
bestehend aus:
BV520R Sperrer allein
BV551R Blätter (Paar)

Retractor complete,
consisting of:
BV520R Spreader only
BV551R Blades (pair)



COLLIN

BV531R-BV533R

komplett			
complete	BV531R	BV532R	BV533R
Sperrer allein	BV522R	BV523R	BV523R
Spreader only			
Seitl. Blätter (Paar)	BV551R	BV552R	BV553R
Lateral blades (pair)	37 x 62 mm	37 x 80 mm	37 x 98 mm
Mittelblatt	BV361R	BV362R	BV363R
Center blade	54 x 55 mm	54 x 67 mm	52 x 76 mm




COLLIN

BV535R-BV536R

komplett		
complete	BV535R	BV536R
Sperrer allein	BV524R	BV524R
Spreader only		
Seitl. Blätter (Paar)	BV555R	BV554R
Lateral blades (pair)	48 x 59 mm	61 x 80 mm
Mittelblatt	BV338R	BV338R
Center blade	63 x 74 mm	63 x 74 mm



Wundspreizer, Bauchdeckenhalter – Self-Retaining Retractors, Abdominal Retractors

 KUGELSCHNELLVERSCHLUSS
BALL SNAP CLOSURE

Bauchdeckenhalter
Abdominal Retractors

BV

320 mm, 12 1/2"



RICARD

BV542R-BV543R

komplett		
complete	BV542R	BV543R
Sperrer allein	BV527R	BV527R
Spreader only		
Seitl. Blätter (Paar)	BV556R	BV557R
Lateral blades (pair)	58 x 80 mm	72 x 84 mm
Mittelblatt	BV366R	BV367R
Center blade	54 x 70 mm	72 x 90 mm

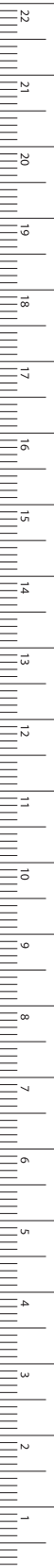
275 mm, 10 3/4"



HOLZBACH

BV545R

komplett		
complete		
Seitl. Blätter (Paar)	BV558R	
Lateral blades (pair)	59 x 80 mm	
Mittelblatt		BV369R
Center blade		74 x 82 mm



MILLIMETERS

Wundspreizer, Bauchdeckenhalter – Self-Retaining Retractors, Abdominal Retractors

Bauchdeckenklappen

Abdominal Blades



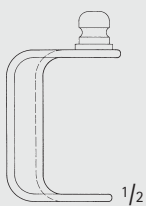
KUGELSCHNELLVERSCHLUSS
BALL SNAP CLOSURE

Bestelleinheit der Blätter: PAA = Paar

Sales unit of blades: PAA = pair

Seitliche Blätter allein

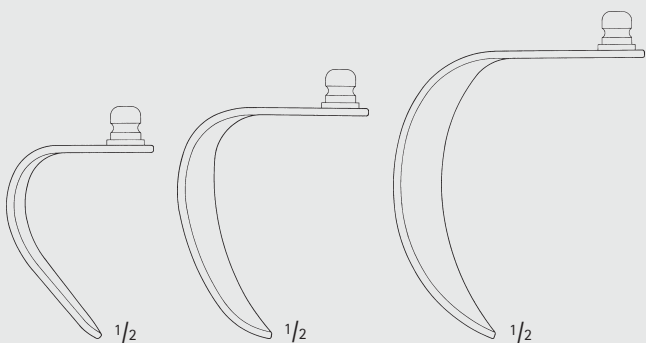
Lateral blades only



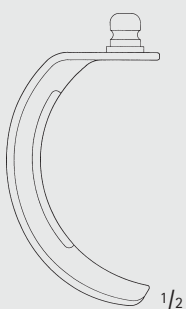
BV551R-BV553R



BV554R



BV555R-BV557R



BV558R



BV551R 37 x 62 mm

BV552R 37 x 80 mm

BV553R 37 x 98 mm



BV554R 61 x 80 mm



BV555R 48 x 59 mm

BV556R 58 x 80 mm

BV557R 72 x 84 mm



BV558R 59 x 80 mm

BV



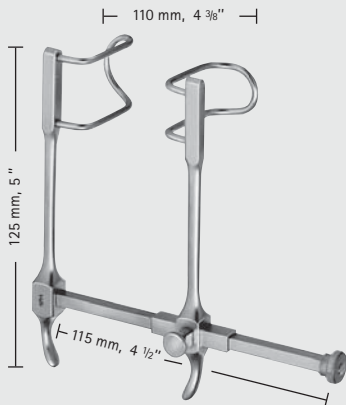
INCHES



Wundspreizer, Bauchdeckenhalter – Self-Retaining Retractors, Abdominal Retractors

Bauchdeckenhalter
Abdominal Retractors

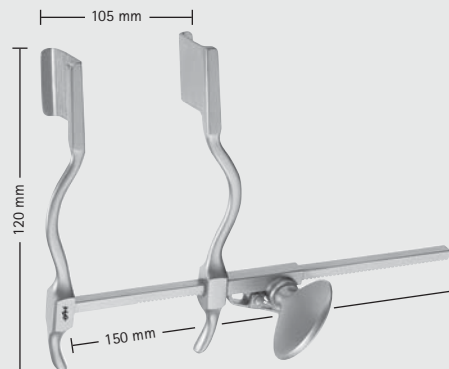
BV



GOSSET

BV500R

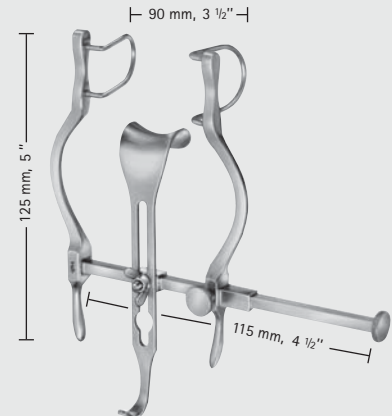
Blätter: 38 mm tief
Blades: 38 mm deep



HERTZLER

BV512R

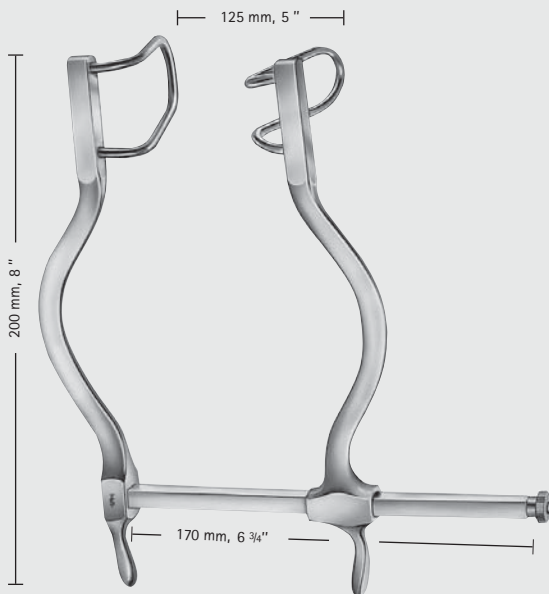
Blätter 20 x 25 mm
Blades 20 x 25 mm



BALFOUR-BABY

BV601R

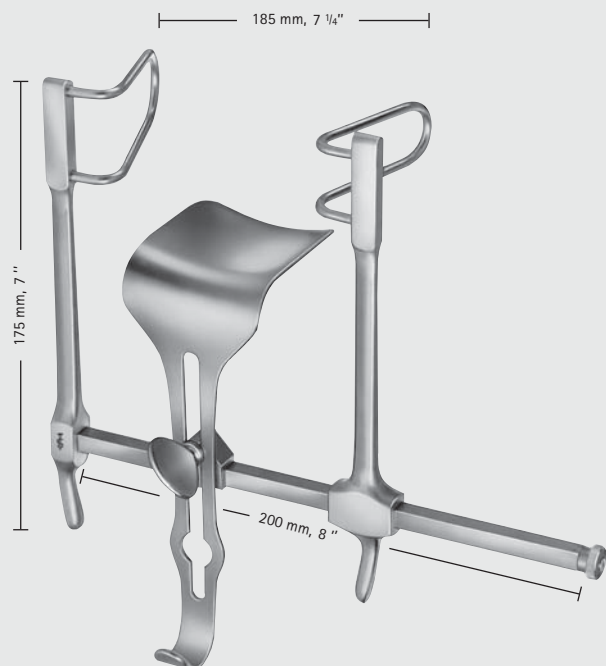
Seitl. Blätter 27 mm tief
Mittelblatt BV602R 21 x 24 mm
Lateral blades 27 mm deep
Center blade BV602R 21 x 24 mm



GOSSET

BV502R

Blätter: 55 mm tief
Blades: 55 mm deep



GOSSET

BV505R

Seitl. Blätter 58 mm tief
Mittelblatt BV506R 59 x 57 mm
Lateral blades 58 mm deep
Center blade BV506R 59 x 57 mm



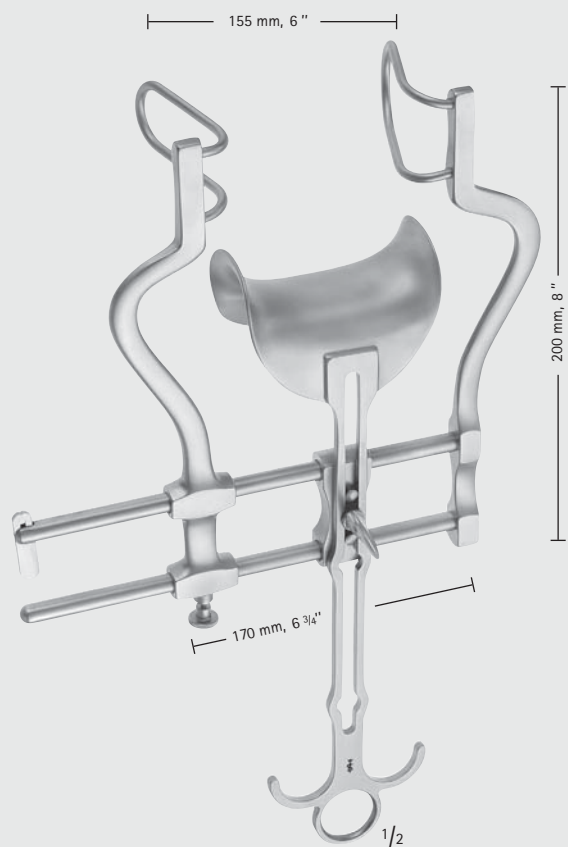
MILLIMETERS

Wundspreizer, Bauchdeckenhalter – Self-Retaining Retractors, Abdominal Retractors

Bauchdeckenhalter

Abdominal Retractors

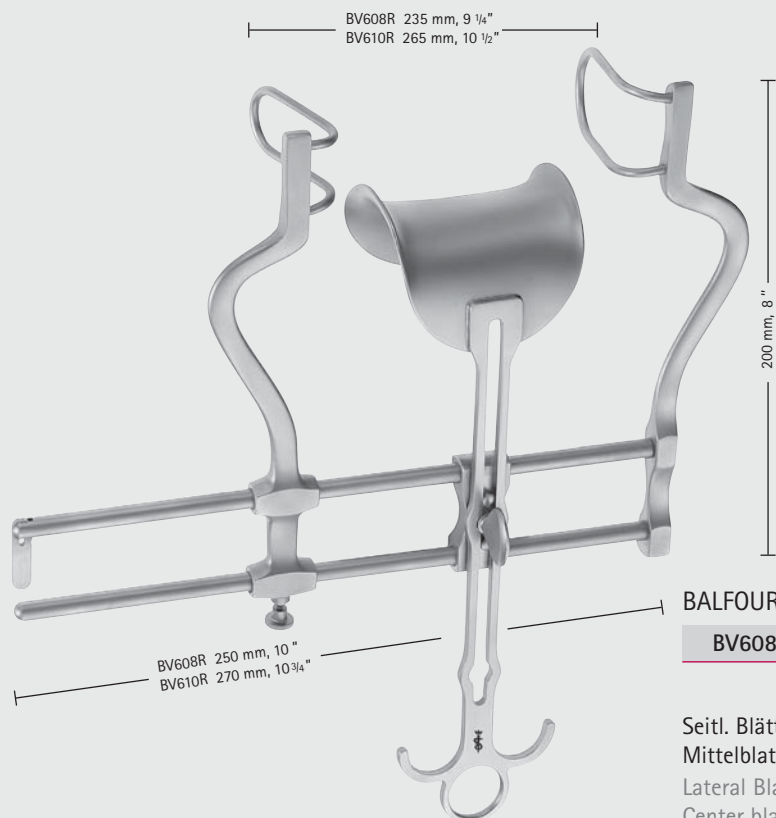
BV



BALFOUR

BV605R

Seitl. Blätter	60 mm tief
Mittelblatt	BV606R 47 x 80 mm
Lateral blade	60 mm deep
Center blade	BV606R 47 x 80 mm



BALFOUR

BV608R-BV610R

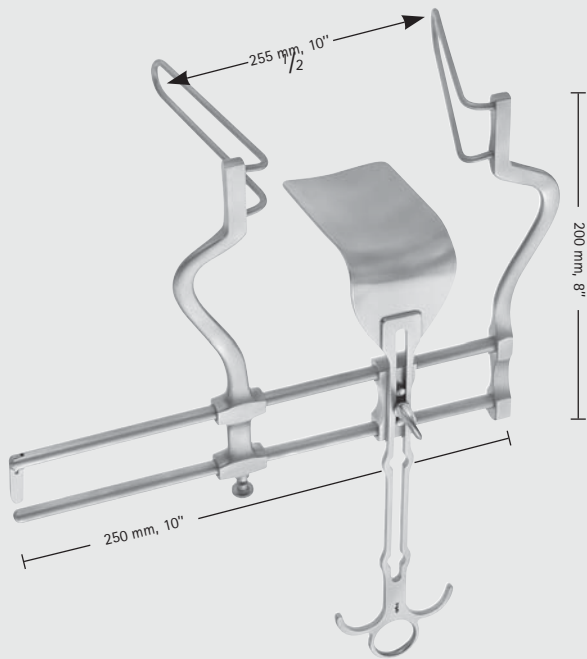
	BV608R	BV610R
Seitl. Blätter	60 mm tief	90 mm tief
Mittelblatt	BV609R 62 x 76 mm	BV611R 80 x 80 mm
Lateral Blades	60 mm deep	90 mm deep
Center blade	BV609R 62 x 76 mm	BV611R 80 x 80 mm



Wundspreizer, Bauchdeckenhalter – Self-Retaining Retractors, Abdominal Retractors

Bauchdeckenhalter
Abdominal Retractors

BV



BALFOUR

BV615R

Seitl. Blätter 105 mm tief
Mittelblatt BV616R 107 x 59 mm
Lateral blades 105 mm deep
Center blade BV616R 107 x 59 mm



BALFOUR

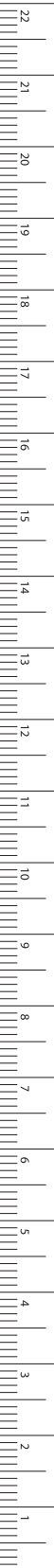
BV617R

Mittelblatt allein
Center blade only
54 x 80 mm



BV618R

Mittelblatt, geschlitzt
zur retropubischen Prostatektomie
Center blade, slotted
for retropubic prostatectomy
75 x 80 mm



MILLIMETERS

Wundspreizer, Bauchdeckenhalter – Self-Retaining Retractors, Abdominal Retractors

Bauchdeckenhalter

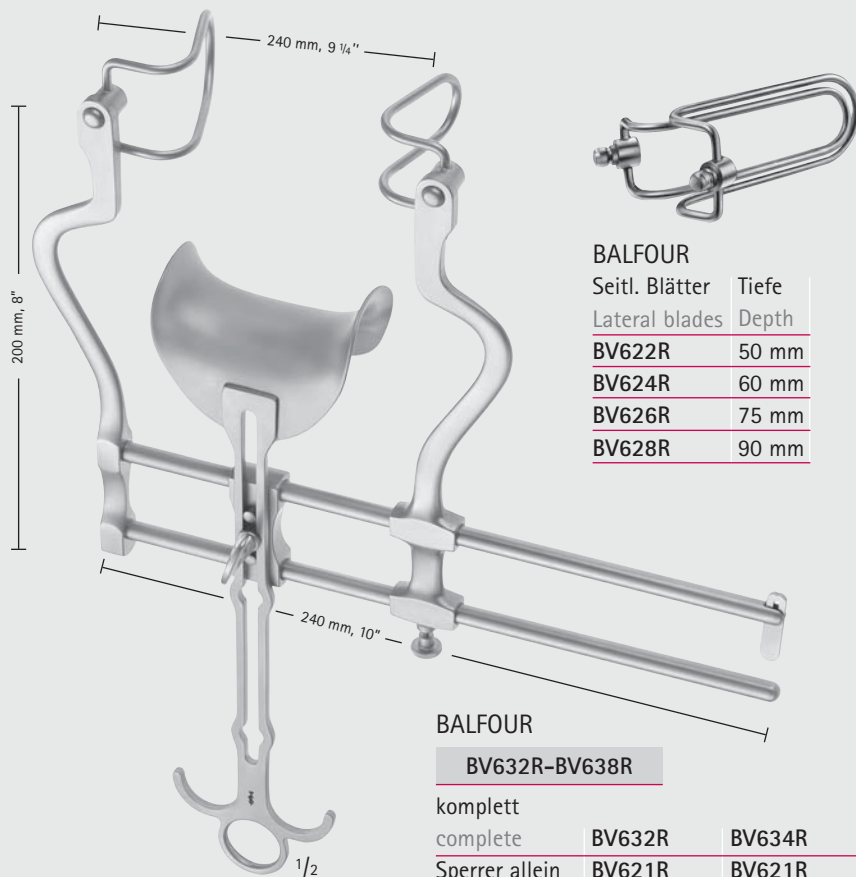
Abdominal Retractors



KUGELSCHNELLVERSCHLUSS
BALL SNAP CLOSURE

Bestelleinheit der Blätter: PAA = Paar

Sales unit of blades: PAA = pair



BALFOUR

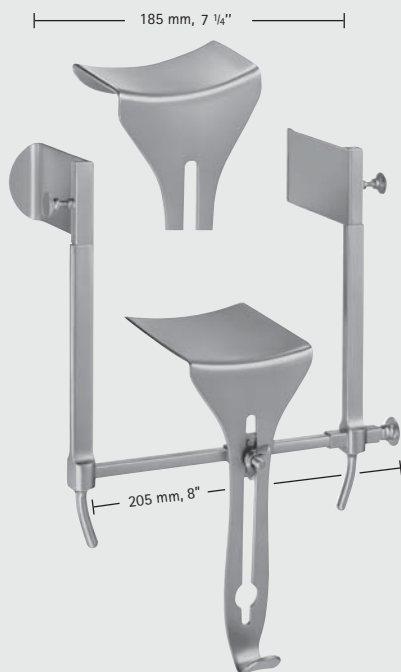
Seitl. Blätter Lateral blades	Tiefe Depth
BV622R	50 mm
BV624R	60 mm
BV626R	75 mm
BV628R	90 mm

BALFOUR

BV632R-BV638R

komplett

complete	BV632R	BV634R	BV636R	BV638R
Sperrer allein Spreader only	BV621R	BV621R	BV621R	BV621R
Seitl. Blätter Lateral blades	BV622R 50 mm	BV624R 60 mm	BV626R 75 mm	BV628R 90 mm
Mittelblatt Center blade	BV606R 47 x 80 mm	BV609R 62 x 76 mm	BV611R 80 x 80 mm	BV611R 80 x 80 mm



GOLIGHER

BV640R

Bauchdeckenhalter komplett,
bestehend aus:

- Mittelblatt 51 mm tief
- Mittelblatt 102 mm tief
- Seitl. Blätter (Paar) 51 mm tief
- Seitl. Blätter (Paar) 102 mm tief

Abdominal retractor complete,
consisting of:

- Center blade 51 mm deep
- Center blade 102 mm deep
- Lateral blades (pair) 51 mm deep
- Lateral blades (pair) 102 mm deep



Wundspreizer, Bauchdeckenhalter – Self-Retaining Retractors, Abdominal Retractors

Bauchdeckenhalter
Abdominal Retractors

BV



O' SULLIVAN-O' CONNOR

US100

Bauchdeckenhalter komplett,
bestehend aus:

- US100 1 Bauchdeckenhalter
- US100201 2 Blätter
- US100202 1 Blatt

Abdominal retractor complete,
consisting of:

- US100 1 Retractor
- US100201 2 Blades
- US100202 1 Blade



O'SULLIVAN-O' CONNOER

US100201

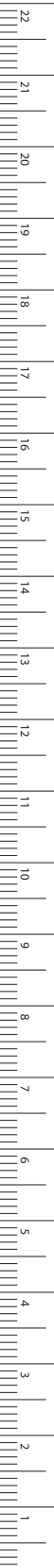
kleines Blatt
small blade



O'SULLIVAN-O' CONNOER

US100202

großes Blatt
large blade



MILLIMETERS

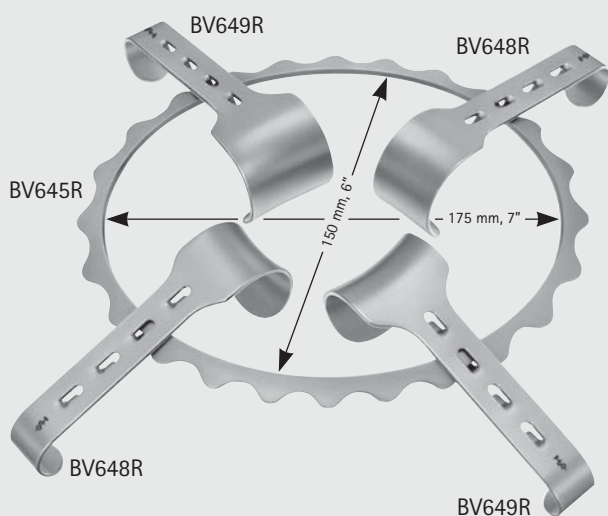
Wundspreizer, Bauchdeckenhalter – Self-Retaining Retractors, Abdominal Retractors

Bauchdeckenhalter

Abdominal Retractors

Bauchdeckenhalter für Säuglinge und Kinder

Abdominal retractors for new-born and children



DENIS-BROWNE

BV650R

Bauchdeckenhalter komplett,
bestehend aus:

- BV645R 1 Rahmen 175 x 150 mm
- BV648R 2 Blätter allein 40 x 30 mm
- BV649R 2 Blätter allein 40 x 40 mm

Abdominal retractor complete,
consisting of:

- BV645R 1 frame 175 x 150 mm
- BV648R 2 blades only 40 x 30 mm
- BV649R 2 blades only 40 x 40 mm



DENIS-BROWNE

BV646R

Blatt allein
Blade only
20 x 30 mm



DENIS-BROWNE

BV647R

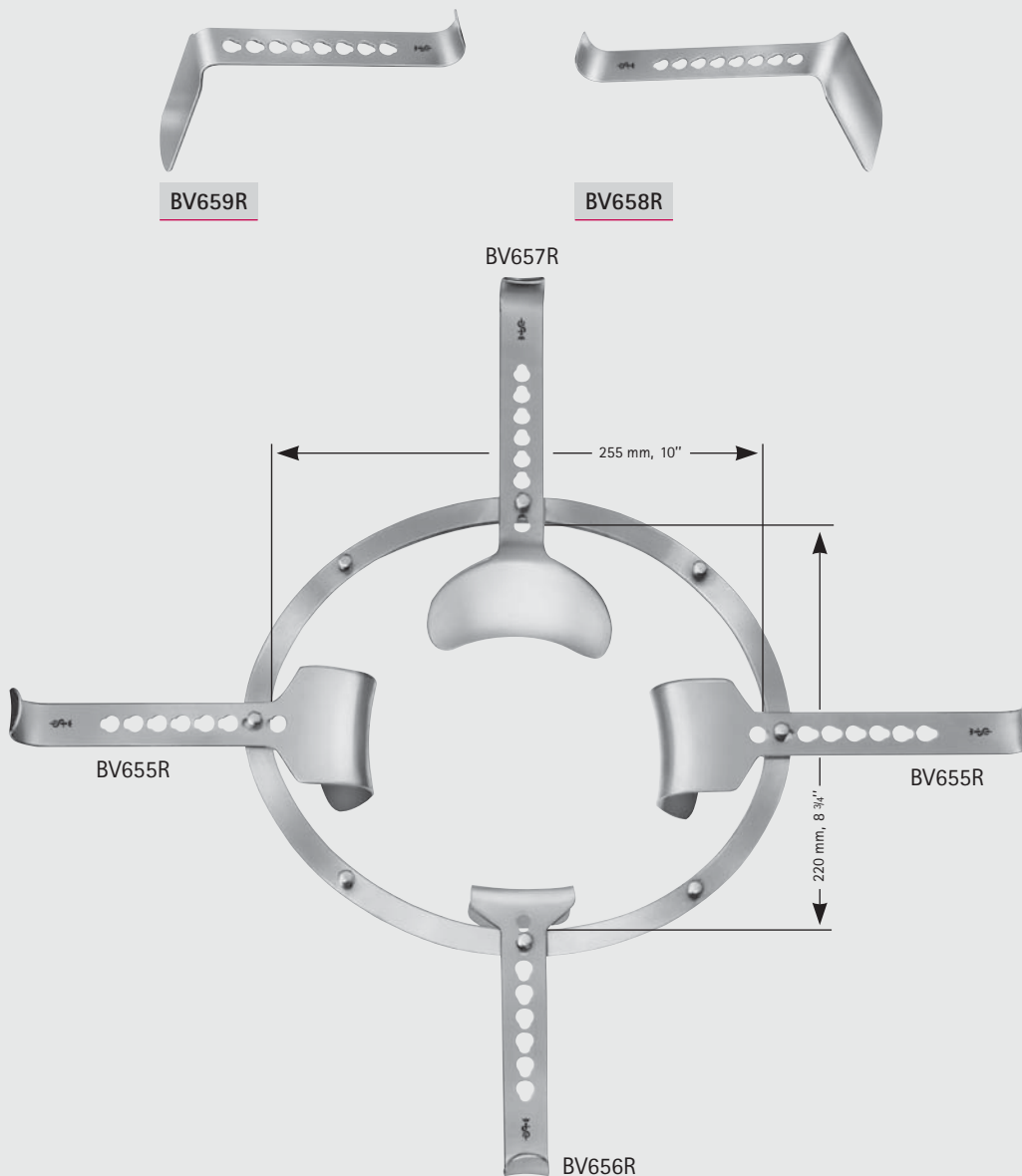
Blatt allein
Blade only
20 x 40 mm



Wundspreizer, Bauchdeckenhalter – Self-Retaining Retractors, Abdominal Retractors

Bauchdeckenhalter
Abdominal Retractors

Bauchdeckenhalter für Gynäkologen gut geeignet
Abdominal retractors well suitable for gynaecologists



SEMM

BV654R

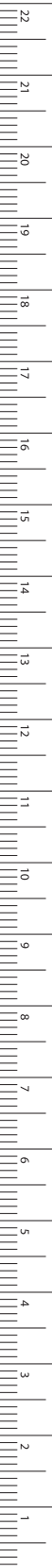
Bauchdeckenhalter komplett,
bestehend aus:

- BV653R 1 Rahmen 255 x 220 mm
- BV655R 2 Blätter 46 x 64 mm
- BV656R 1 Blatt 53 x 54 mm (für die Blase)
- BV657R 1 Blatt 82 x 97 mm (für den Darm)
- BV658R 1 Blatt 98 x 51 mm (für den Darm)
- BV659R 1 Blatt schmal 107 x 36 mm

Abdominal retractor complete,
consisting of:

- BV653R 1 frame 255 x 220 mm
- BV655R 2 blades 46 x 64 mm
- BV656R 1 blade 53 x 54 mm (for bladder)
- BV657R 1 blade 82 x 97 mm (for intestine)
- BV658R 1 blade 98 x 51 mm (for intestine)
- BV659R 1 blade narrow 107 x 36 mm

BV



MILLIMETERS

Wundspreizer, Bauchdeckenhalter – Self-Retaining Retractors, Abdominal Retractors

Bauchdeckenhalter

Abdominal Retractors

BV



250 x 250 mm, 10 x 10"

KIRSCHNER

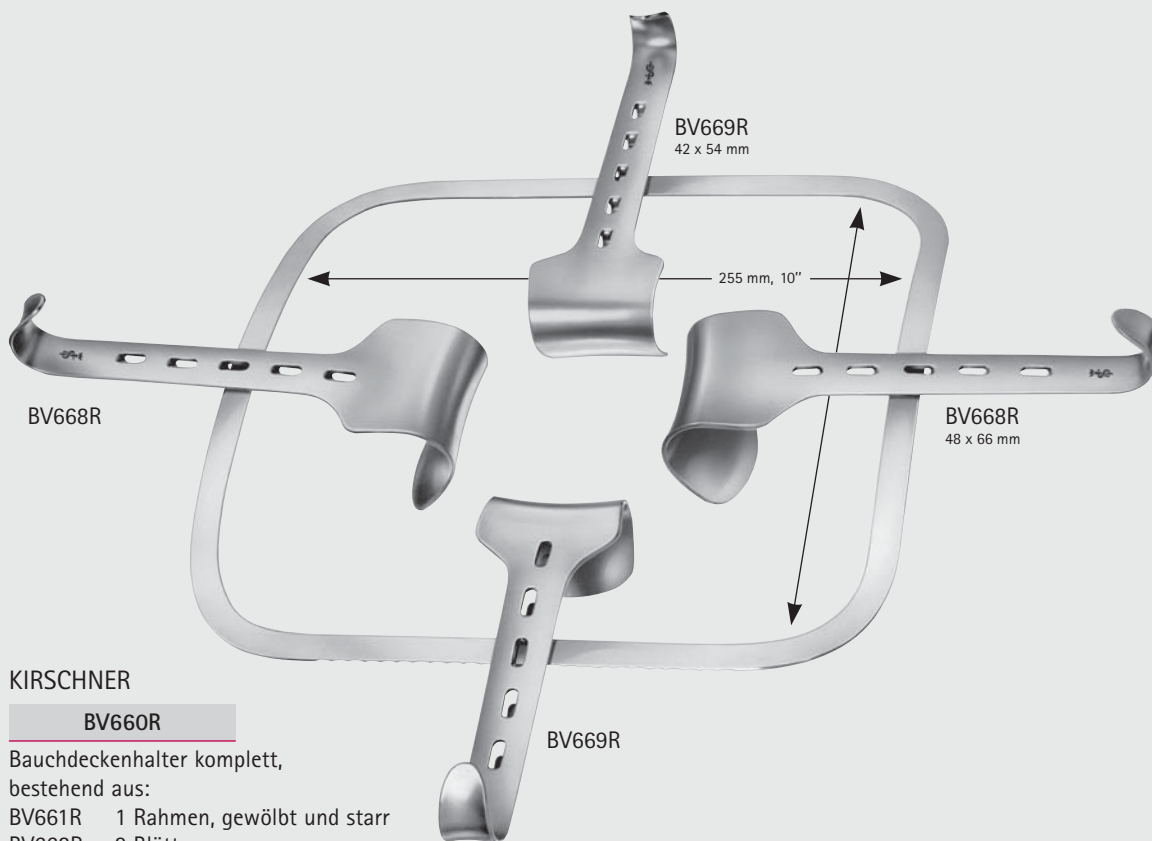
BV662R

Bauchdeckenhalter komplett,
bestehend aus:

- BV663R 1 Rahmen, zusammenlegbar
- BV668R 2 Blätter
- BV669R 2 Blätter

Abdominal retractor complete,
consisting of:

- BV663R 1 Holding frame
- BV668R 2 Blades
- BV669R 2 Blades



BV669R
42 x 54 mm

255 mm, 10"

BV668R

BV668R
48 x 66 mm

BV669R

KIRSCHNER

BV660R

Bauchdeckenhalter komplett,
bestehend aus:

- BV661R 1 Rahmen, gewölbt und starr
- BV668R 2 Blätter
- BV669R 2 Blätter

Abdominal retractor complete,
consisting of:

- BV661R 1 Vaulted fixed frame
- BV668R 2 Blades
- BV669R 2 Blades

KIRSCHNER

BV664R

Rahmen allein, übergroß
Frame only, over-sized
275 x 355 mm

KIRSCHNER

BV665R

Rahmen allein
Frame only
295 x 275 mm

INCHES



Wundpreizer, Bauchdeckenhalter – Self-Retaining Retractors, Abdominal Retractors

Bauchdeckenhalter
Abdominal Retractors

Zusätzliche Blätter für Fettleibige
Additional valves for corpulent persons

BV



KIRSCHNER

BV670R

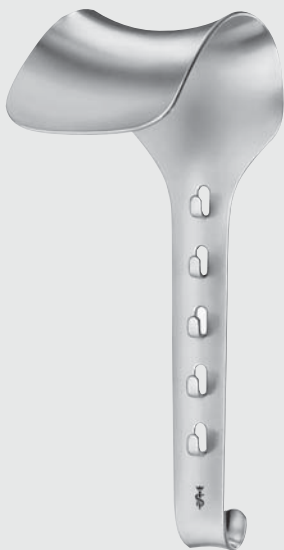
64 x 80 mm



KIRSCHNER-BALFOUR

BV672R

80 x 82 mm



KIRSCHNER

BV674R 90 x 69 mm

BV675R 95 x 95 mm

BV676R 78 x 58 mm



KIRSCHNER

BV680R 108 x 42 mm

BV682R 91 x 55 mm

BV684R 120 x 55 mm



MILLIMETERS

Wundhaken – Wound Retractors

Wundhaken

Retractors

Maßangaben für Blattgrößen der Wundhaken

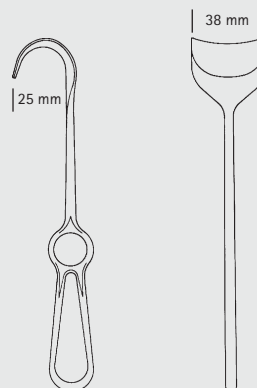
1. Zahl = Tiefe Beispiel: 25 x 38 mm

2. Zahl = Breite

Dimensions for blade size of retractors

1st number = depth Example: 25 x 38 mm

2nd number = width



MD076

10 mm

160 mm

6 1/4"

MD077

13 mm

180 mm

7"

HASSON

MD076-MD077

BT



INCHES

Wundspreizer, Bauchdeckenhalter – Self-Retaining Retractors, Abdominal Retractors

Blasenwundspreizer

Bladder Retractors



KUGELSCHNELLVERSCHLUSS
BALL SNAP CLOSURE



BV576R



BV577R

MILLIN

BV580R

Blasenwundspreizer komplett,
bestehend aus:

- BV575R Sperrer allein
- BV576R Blätter 57 x 25 mm
- BV577R Blätter 82 x 25 mm
- BV578R Mittelblatt 105 x 45 mm

Bladder retractor complete,
consisting of:

- BV575R Spreader only
- BV576R Blades 57 x 25 mm
- BV577R Blades 82 x 25 mm
- BV578R Center blade 105 x 45 mm



1/3

LEGUEU

BV928R

Blasenspatel

Bladder spatula

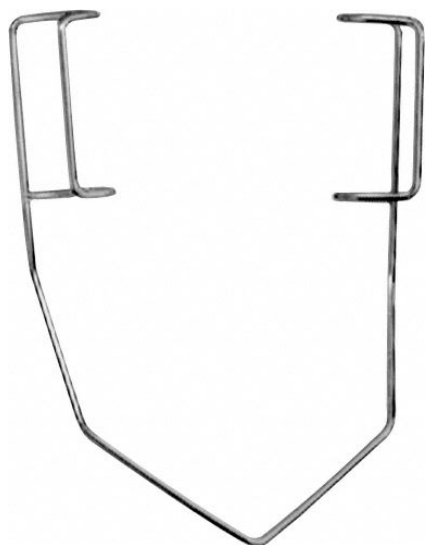
260 mm, 10 1/4"

Wundspreizer, Bauchdeckenhalter – Self-Retaining Retractors, Abdominal Retractors

Wundspreizer, Lidsperr

Self-Retaining Retractors, Lid Retractors

BV



BARRAQUER

OA200R

45 mm, 1 3/4"



SAUER

OA218R

35 mm, 1 3/8"



LANCASTER

OA225R

80 mm, 3 1/8"

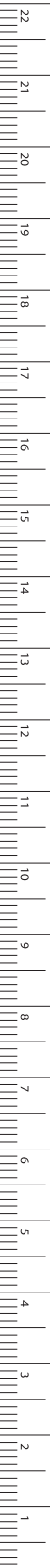
INCHES



Wundspreizer, Bauchdeckenhalter – Self-Retaining Retractors, Abdominal Retractors

Poplitea-Sperrer
Poplitea Retractor

BV



MILLIMETERS



BV348R

Blätter (Paar), allein
bestehend aus:
Blatt, stumpf, 60 x 50 mm
Blatt, halbscharf, 40 x 35 mm
Blades (pair), only
consisting of:
Blade, blunt, 60 x 50 mm
Blade, semi-sharp, 40 x 35 mm

BV349R

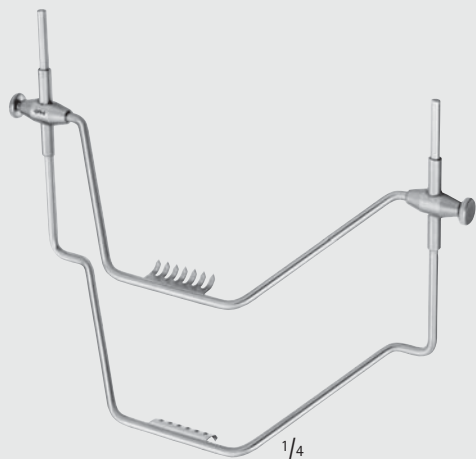
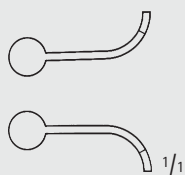
Poplitea-Sperrer, komplett
bestehend aus:
BV327R Sperrer allein
BV348R Blätter (Paar)
Poplitea retractor, complete
consisting of:
BV327R Retractor only
BV348R Blades (pair)

Wundspreizer, Bauchdeckenhalter – Self-Retaining Retractors, Abdominal Retractors

Spezialwundspreizer

Special Retractors

BV



BV086R

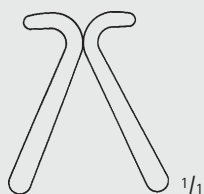
Strumaspreizer
Thyroid retractor



JOLL (FRIEDMANN)

BV087R

Thyreoid- und Vulva-Spreizer
Thyroid- and vaginal retractor
155 mm, 6"



JACKSON-BURROWS

BV993R

Wundspreizer, stumpf
Retractor, blunt
185 mm, 7 1/4"

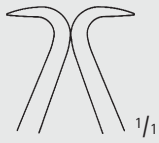
INCHES



Wundspreizer, Bauchdeckenhalter – Self-Retaining Retractors, Abdominal Retractors

Spezialwundspreizer
Special Retractors

BV



1/1



1/2

GELPI

BV996R

Vulva-Spreizer
Vaginal retractor
135 mm, 5 1/4"



1/1

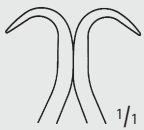


1/2

GELPI

BV997R

Haut- und Vulva-Spreizer
Skin- and vaginal retractor
175 mm, 7"



1/1

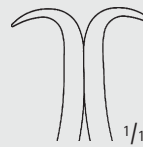


1/2

DE BAKEY

BV998R

Femur-Wundspreizer für Kinder
Femur retractor for children
100 mm, 4"



1/1

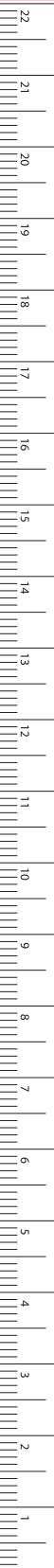


1/2

DE BAKEY

BV999R

Femur-Wundspreizer
Femur retractor
145 mm, 5 3/4"



MILLIMETERS

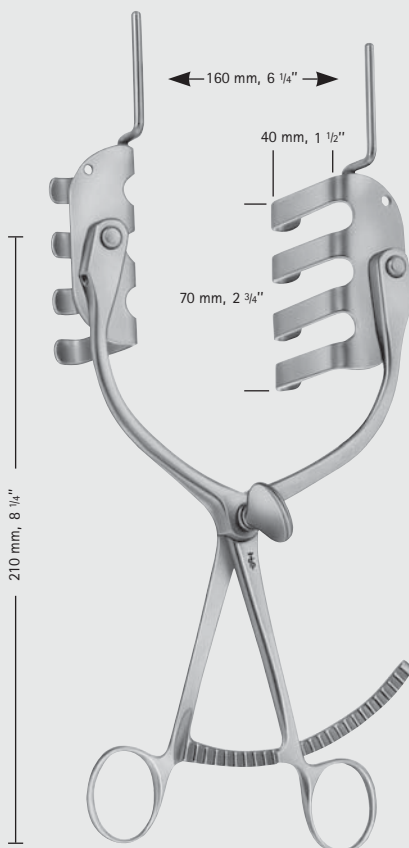


Abdominale Chirurgie – Abdominal Surgery

Perineal Sperrer Perineal Retractor



KUGELSCHNELLVERSCHLUSS
BALL SNAP CLOSURE

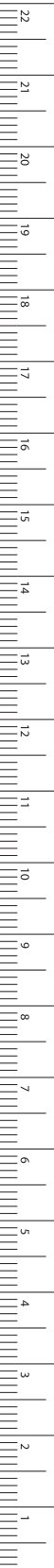


ST. MARKS, MODIF. GIRONA

BV907R

Perineal Sperrer mit
Tuchhaltestift an den Blättern
Perineal retractor with towel pegs
fitted to swivel rake blades

EA



MILLIMETERS

Wundhaken – Wound Retractors

Wundhaken

Retractors

Maßangaben für Blattgrößen der Wundhaken

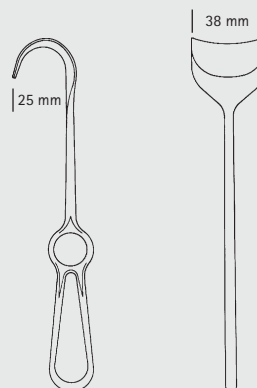
1. Zahl = Tiefe Beispiel: 25 x 38 mm

2. Zahl = Breite

Dimensions for blade size of retractors

1st number = depth Example: 25 x 38 mm

2nd number = width



LAHEY

MB785R

200 mm, 8"

BT



INCHES



XJ352R

GELPI Retractor (Self Retaining), 170 mm, japanese design, sharp point, non-sterile, reusable



Product search type	Retractor (Self Retaining)
Author	GELPI
Aesculap Product	
Groups	General Surgical Instruments
Shape / Form	japanese design
Length	170.00 mm
Tip profile	sharp
Type of Sterilization	not sterilized ex works
Data Matrix	Yes
Disposable /	
Reusable	reusable
Sterility	non-sterile



XJ351R

GELPI Retractor (Self Retaining), 160 mm, japanese design, sharp point, non-sterile, reusable



Product search type	Retractor (Self Retaining)
Author	GELPI
Aesculap Product	
Groups	General Surgical Instruments
Shape / Form	japanese design
Length	160.00 mm
Tip profile	sharp
Type of Sterilization	not sterilized ex works
Data Matrix	Yes
Disposable /	
Reusable	reusable
Sterility	non-sterile

По вопросам продаж и поддержки обращайтесь:

Алматы (7273)495-231	Казань (843)206-01-48	Новокузнецк (3843)20-46-81	Смоленск (4812)29-41-54
Архангельск (8182)63-90-72	Калининград (4012)72-03-81	Новосибирск (383)227-86-73	Сочи (862)225-72-31
Астрахань (8512)99-46-04	Калуга (4842)92-23-67	Омск (3812)21-46-40	Ставрополь (8652)20-65-13
Барнаул (3852)73-04-60	Кемерово (3842)65-04-62	Орел (4862)44-53-42	Сургут (3462)77-98-35
Белгород (4722)40-23-64	Киров (8332)68-02-04	Оренбург (3532)37-68-04	Тверь (4822)63-31-35
Брянск (4832)59-03-52	Краснодар (861)203-40-90	Пенза (8412)22-31-16	Томск (3822)98-41-53
Владивосток (423)249-28-31	Красноярск (391)204-63-61	Пермь (342)205-81-47	Тула (4872)74-02-29
Волгоград (844)278-03-48	Курск (4712)77-13-04	Ростов-на-Дону (863)308-18-15	Тюмень (3452)66-21-18
Вологда (8172)26-41-59	Липецк (4742)52-20-81	Рязань (4912)46-61-64	Ульяновск (8422)24-23-59
Воронеж (473)204-51-73	Магнитогорск (3519)55-03-13	Самара (846)206-03-16	Уфа (347)229-48-12
Екатеринбург (343)384-55-89	Москва (495)268-04-70	Санкт-Петербург (812)309-46-40	Хабаровск (4212)92-98-04
Иваново (4932)77-34-06	Мурманск (8152)59-64-93	Саратов (845)249-38-78	Челябинск (351)202-03-61
Ижевск (3412)26-03-58	Набережные Челны (8552)20-53-41	Севастополь (8692)22-31-93	Череповец (8202)49-02-64
Иркутск (395)279-98-46	Нижний Новгород (831)429-08-12	Симферополь (3652)67-13-56	Ярославль (4852)69-52-93
Россия (495)268-04-70	Киргизия (996)312-96-26-47	Казахстан (7172)727-132	